

RoofSupport PVbox

PVBOX.FS.2.MC4



Conduct Technical Solutions BV
Aalborg 4
2993LP Barendrecht

Details:



RoofSupport PVbox

PVBOX.FS.2.MC4

Cover

Drawn by: S. Vanpraet

Date: 22-3-2019

Page

001

INDEX

PAGE	DESCRIPTION	DRAWING TYPE	DRAWN BY	DATE
001	Cover	Title page / cover sheet	S. Vanpraet	22-3-2019
050	Index	Table of contents	S. Vanpraet	22-3-2019
100	Power supply	Schematic multi-line	S. Vanpraet	22-3-2019
600	Cabinet layout	Model view	S. Vanpraet	22-3-2019
601	Cabinet layout	Model view	S. Vanpraet	22-3-2019
700	Product list	Summarized parts list	S. Vanpraet	22-3-2019



RoofSupport PVbox

PVBOX.FS.2.MC4

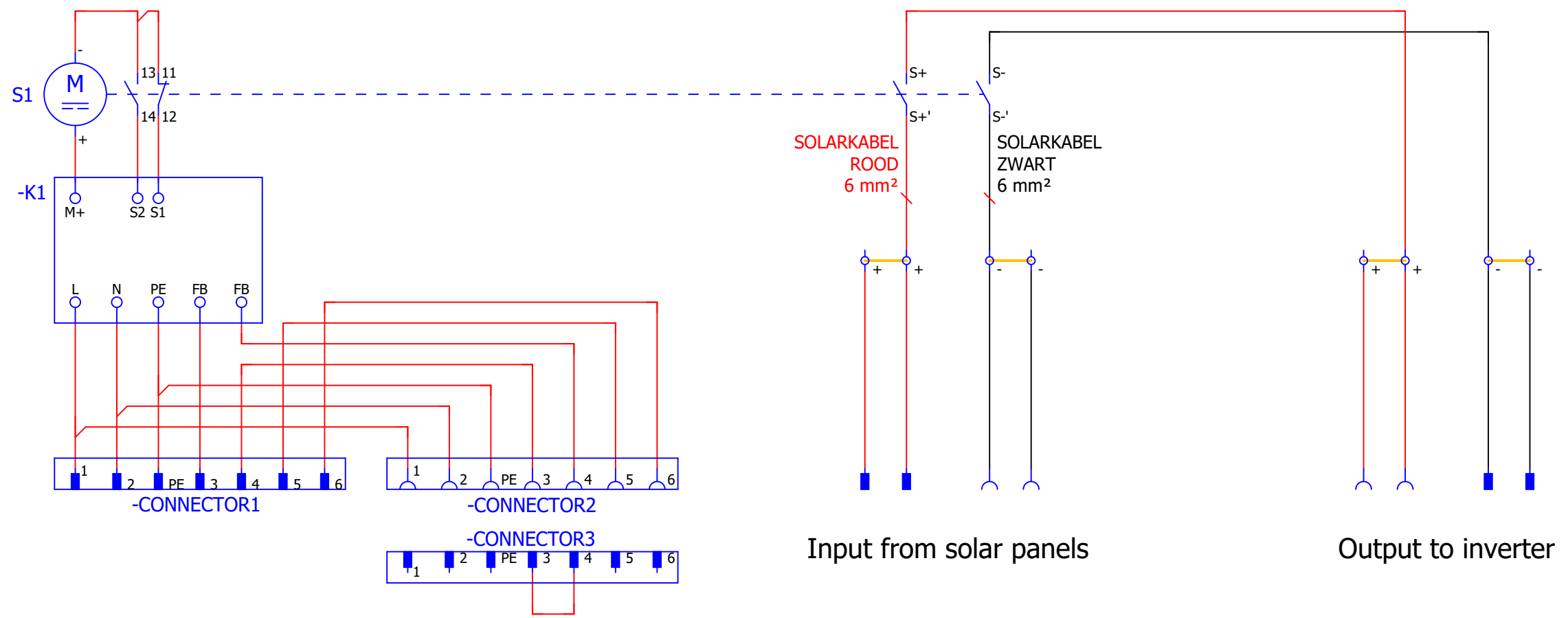
Index

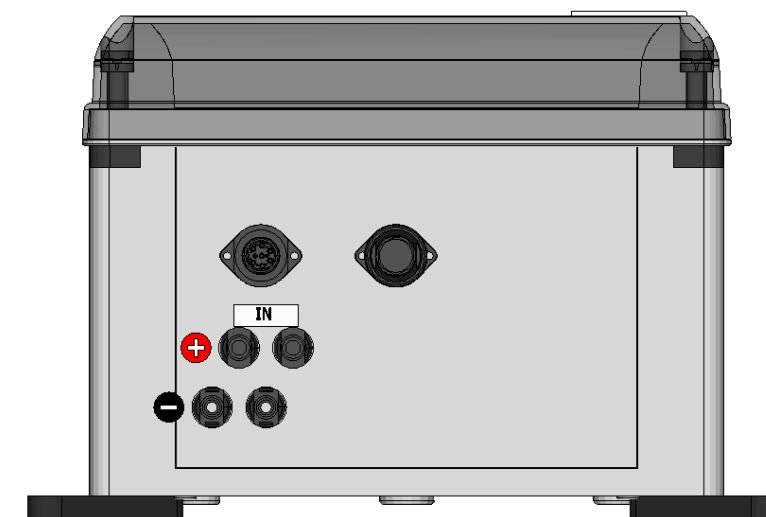
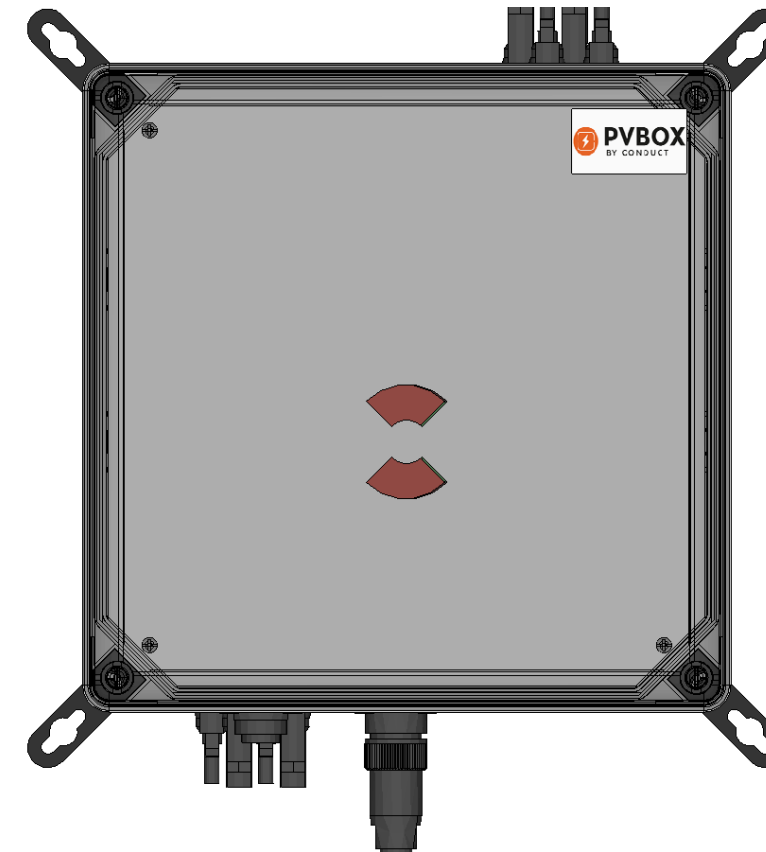
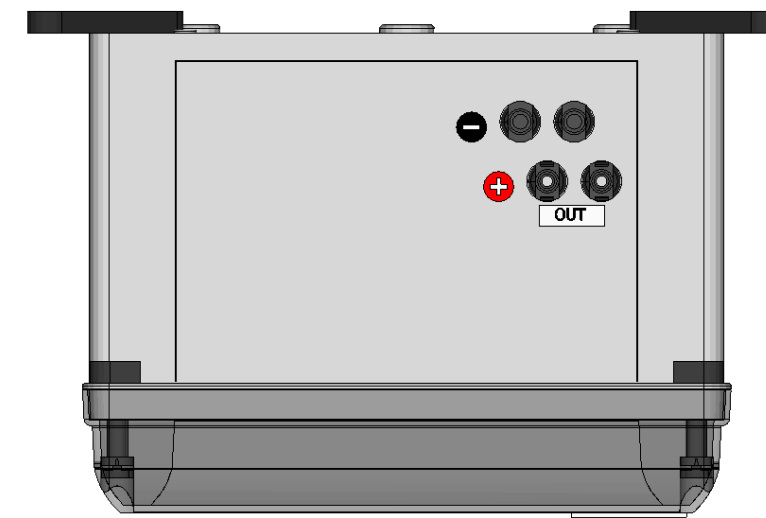
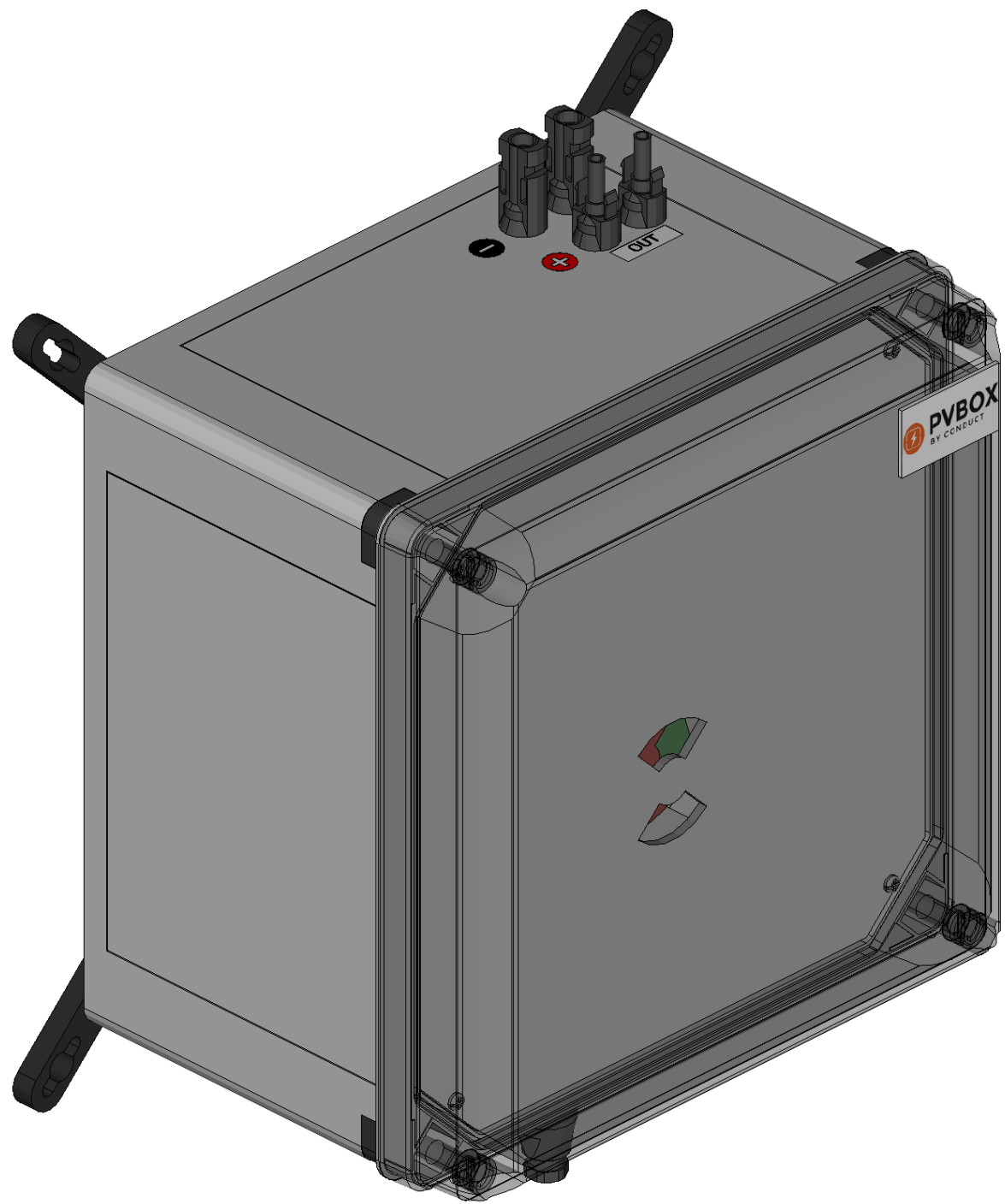
Drawn by: S. Vanpraet

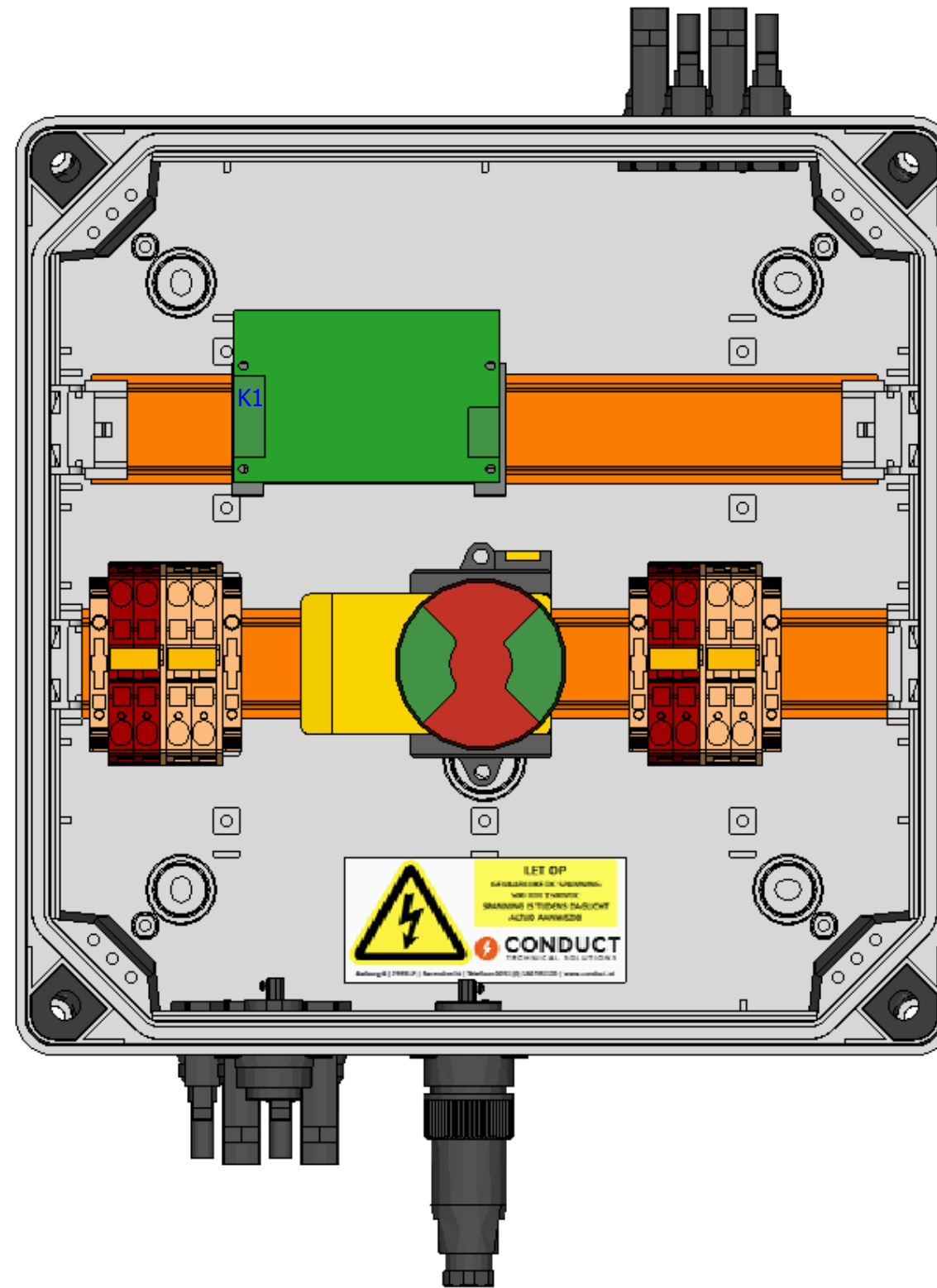
Date: 22-3-2019

Page

050







PRODUCT LIST

QUANTITY	DEVICE CODE	DESCRIPTION	TYPE	PART NUMBER	MANUFACTURER
1		Connector male 7P	09-4219-00-07	09-4219-00-07	Binder
1		Connector female 7P	09-4220-00-07	09-4220-00-07	Binder
1		Connector male 7P	99-4217-00-07	99-4217-00-07	Binder
4		Jumper bar 2 connections	ZQI 6/2 YE	3763.8	Conta-Clip
4		End bracket	ZES 35/2	3811.2	Conta-Clip
4		Feed-through terminal block	ZRK6/2A rood	3581.9	Conta-Clip
4		End plate	ZAP6/2A beige	3760.2	Conta-Clip
4		Feed-through terminal block	ZRK6/2A Beige	3581.2	Conta-Clip
1		Sticker PVbox	Sticker	Sticker	GTV
1		Sticker "Let op: gevaarlijke DC spanning"	Sticker	Sticker	GTV
4		Female connector solar MC4	PV-ADSP4-S2/6	32.0079P0001	Multicontact
4		Male connector solar MC4	PV-ADBP4-S2/6	32.0078P0001	Multicontact
2		Rail adapters	USA 10	1201578	Phoenix Contact
0,508 m		DIN rail perforated	0801733	0801733	Phoenix Contact
1		Cabinet 300x300x226mm	GEOS-L 3030-22-to	70173301	Spelsberg
4		Bevestigingsogen	GEOS ABL-10	72002001	Spelsberg
4		Montagehouder	GEOS MH-22	72002301	Spelsberg

CNC: PVBOX.FS.2.MC4
Pos.:



RoofSupport PVbox

PVBOX.FS.2.MC4

Product list

Drawn by: S. Vanpraet

Date: 22-3-2019

Page

700