

# RoofSupport PVbox

PVBOX.FS.1.MC4



Conduct Technical Solutions BV  
Aalborg 4  
2993LP Barendrecht

Details:



RoofSupport PVbox

PVBOX.FS.1.MC4

Cover

Drawn by: S. Vanpraet

Date: 22-3-2019

Page

001

# INDEX

| PAGE | DESCRIPTION    | DRAWING TYPE             | DRAWN BY    | DATE      |
|------|----------------|--------------------------|-------------|-----------|
| 001  | Cover          | Title page / cover sheet | S. Vanpraet | 22-3-2019 |
| 050  | Index          | Table of contents        | S. Vanpraet | 22-3-2019 |
| 100  | Power supply   | Schematic multi-line     | S. Vanpraet | 22-3-2019 |
| 600  | Cabinet layout | Model view               | S. Vanpraet | 22-3-2019 |
| 601  | Cabinet layout | Model view               | S. Vanpraet | 22-3-2019 |
| 700  | Product list   | Summarized parts list    | S. Vanpraet | 22-3-2019 |



RoofSupport PVbox

PVBOX.FS.1.MC4

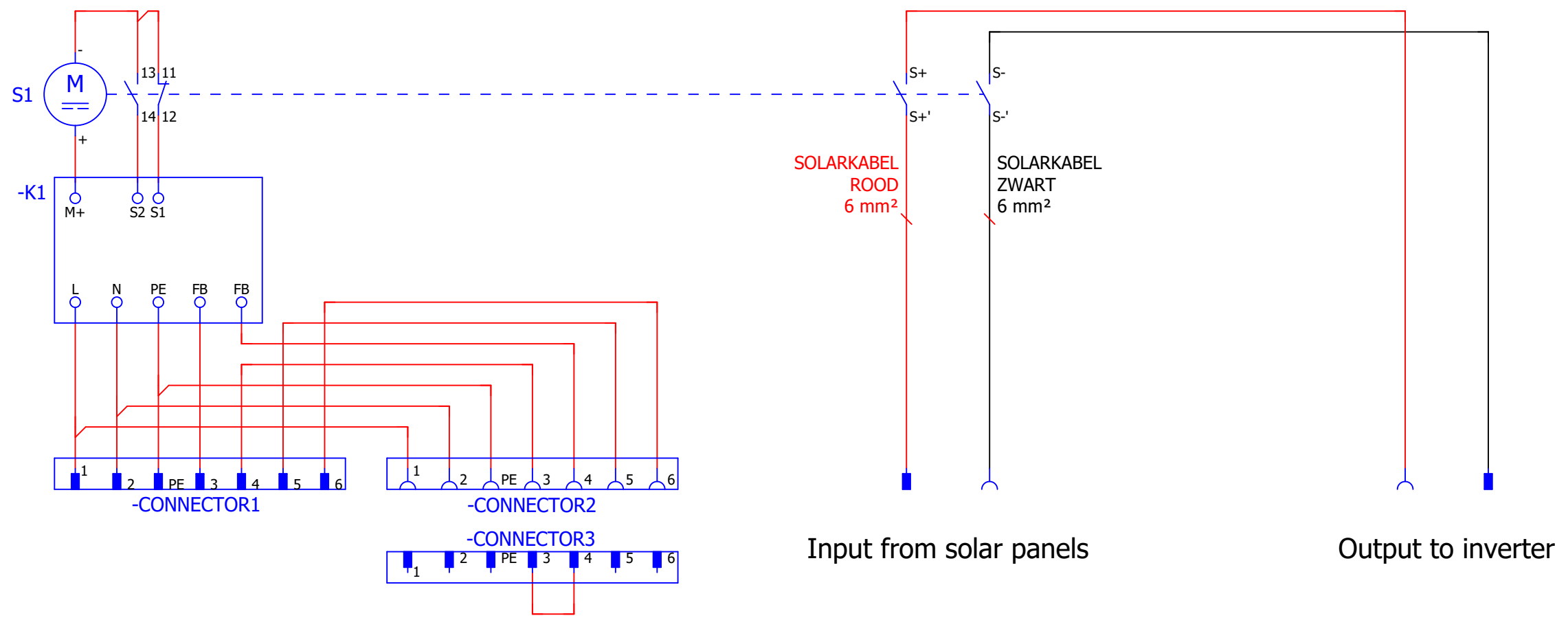
Index

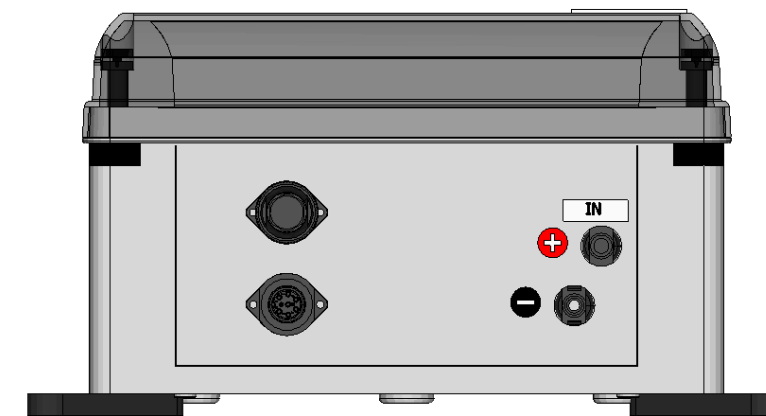
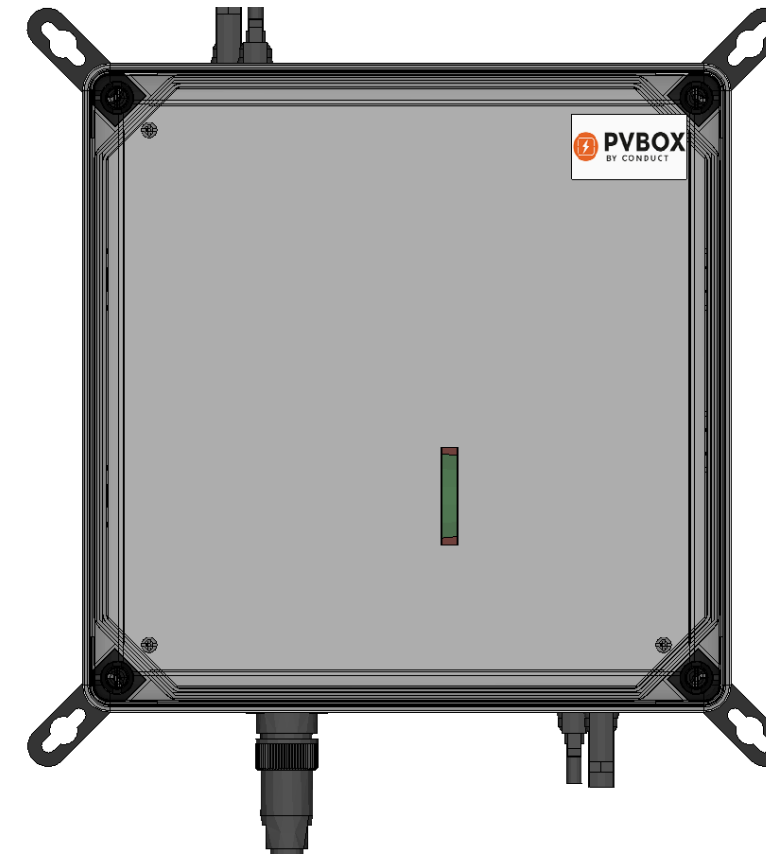
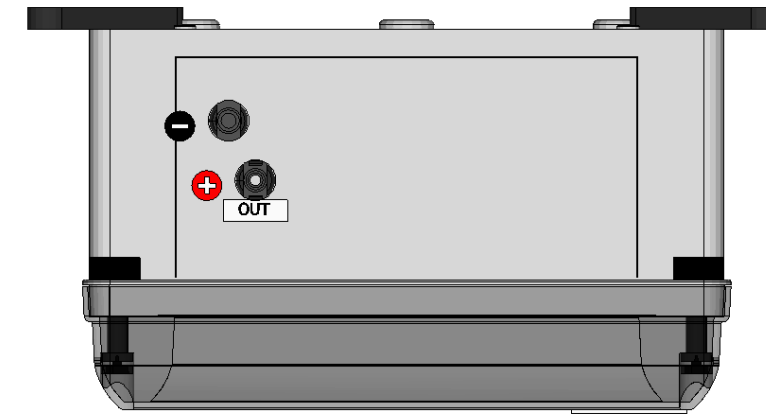
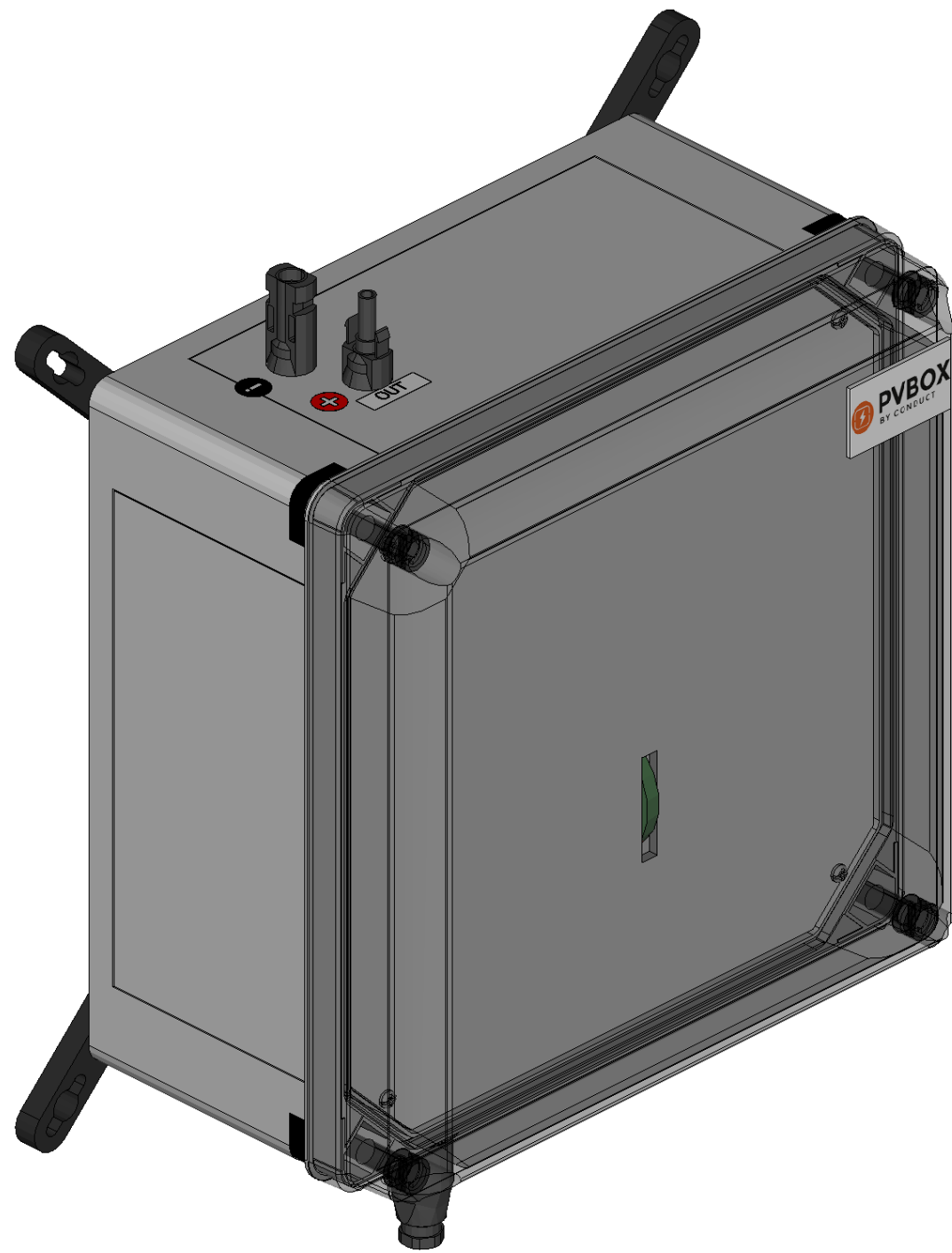
Drawn by: S. Vanpraet

Date: 22-3-2019

Page

050





RoofSupport PVbox

PVBOX.FS.1.MC4

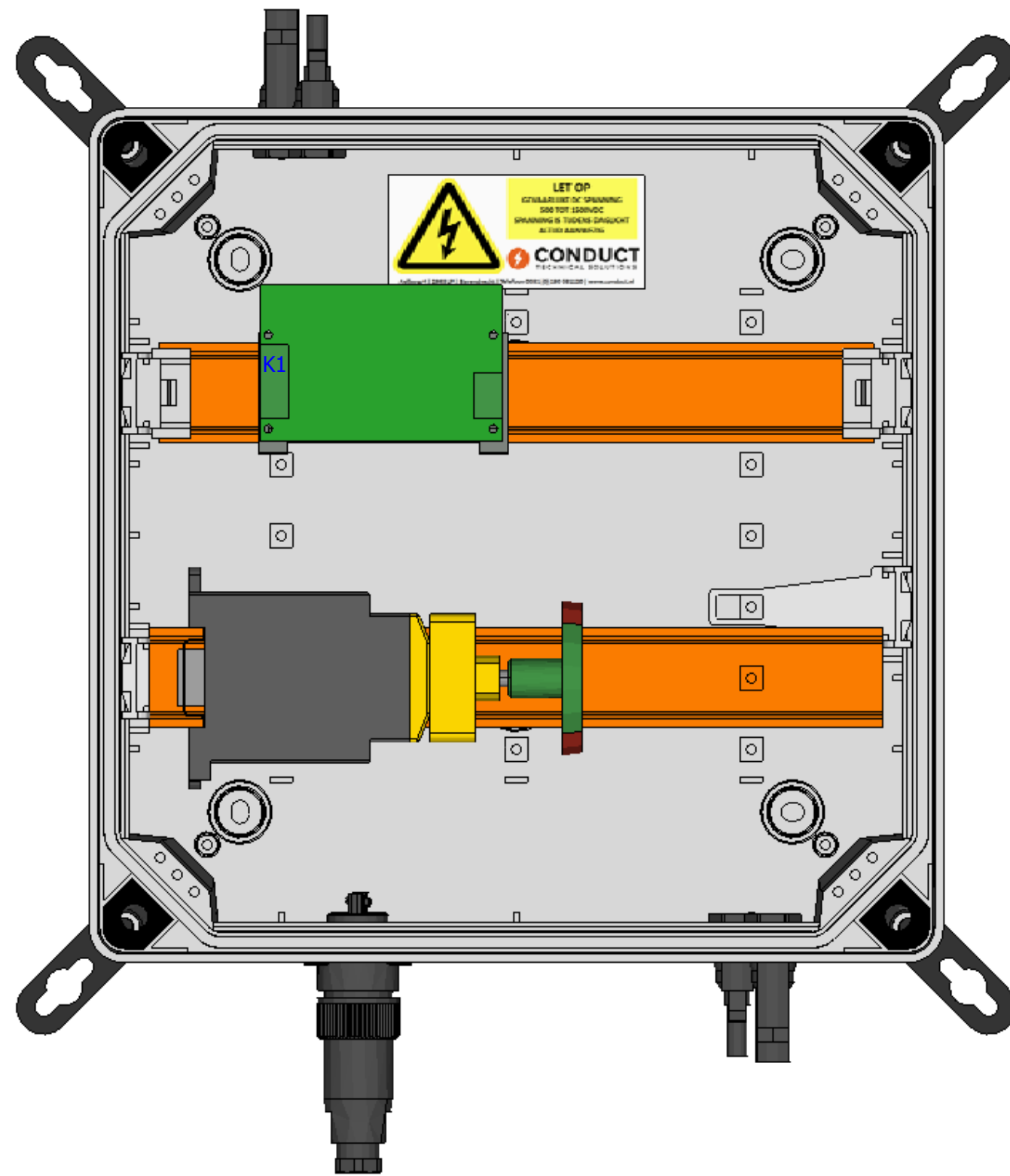
Cabinet layout

Drawn by: S. Vanpraet

Date: 22-3-2019

Page

600



## PRODUCT LIST

| QUANTITY | DEVICE CODE | DESCRIPTION                               | TYPE              | PART NUMBER   | MANUFACTURER    |
|----------|-------------|-------------------------------------------|-------------------|---------------|-----------------|
| 1        |             | Connector male 7P                         | 09-4219-00-07     | 09-4219-00-07 | Binder          |
| 1        |             | Connector female 7P                       | 09-4220-00-07     | 09-4220-00-07 | Binder          |
| 1        |             | Connector male 7P                         | 99-4217-00-07     | 99-4217-00-07 | Binder          |
| 1        |             | Sticker PVbox                             | Sticker           | Sticker       | GTV             |
| 1        |             | Sticker "Let op: gevaarlijke DC spanning" | Sticker           | Sticker       | GTV             |
| 2        |             | Female connector solar MC4                | PV-ADSP4-S2/6     | 32.0079P0001  | Multicontact    |
| 2        |             | Male connector solar MC4                  | PV-ADBP4-S2/6     | 32.0078P0001  | Multicontact    |
| 2        |             | Rail adapters                             | USA 10            | 1201578       | Phoenix Contact |
| 0,605 m  |             | DIN rail perforated                       | 0801733           | 0801733       | Phoenix Contact |
| 1        |             | behuizing 300x300x180mm kunststof         | GEOS-L 3030-18-to | 70143301      | Spelsberg       |
| 2        |             | Montagehouder                             | GEOS MH-18        | 72002201      | Spelsberg       |
| 4        |             | Bevestigingsogen                          | GEOS ABL-10       | 72002001      | Spelsberg       |

CNC: PVBOX.FS.1.MC4  
Pos.:



RoofSupport PVbox

PVBOX.FS.1.MC4

Product list

Drawn by: S. Vanpraet

Date: 22-3-2019

Page

700