

MONTAGE-INSTRUCTIE

SUNGROW SG30CX, SG33CX, SG40CX, SG50CX

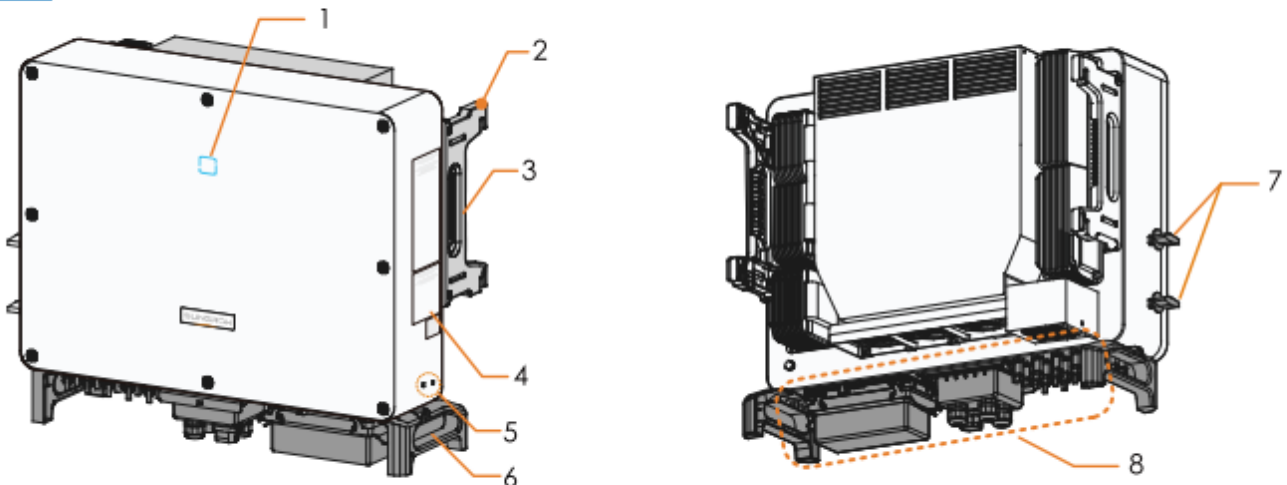
This guide is valid for inverters SG30CX, SG33CX, SG40CX and SG50CX, providing the installation, electrical connection, commissioning and troubleshooting procedure.

⚠ NOTICE

- Contents may be periodically updated or revised due to product development. The information in this guide is subject to change without notice. In no case shall this guide substitute for the user manual or related notes on the device.
- Make sure to read over, fully understand and strictly follow the detailed instructions of the user manual and other related regulations before installing the equipment. The user manual can be downloaded by visiting the website at <http://support.sungrowpower.com/>; or it can be obtained by scanning the QR code on the side of the equipment or the back cover of this guide.
- All operations can be performed only by qualified personnel, that must be trained in the installation and commissioning of the electrical system, as well as the dealing with hazards, have knowledge of the manual and of the local regulations and directives.
- Before installation, check that the package contents are intact and complete against the packing list. Contact SUNGROW or the distributor in case of any damaged or missing components.
- The cable must be intact and well insulated. Operation personnel must wear proper personal protective equipment (PPE) all the time.

1 Product Introduction

1-1 Appearance



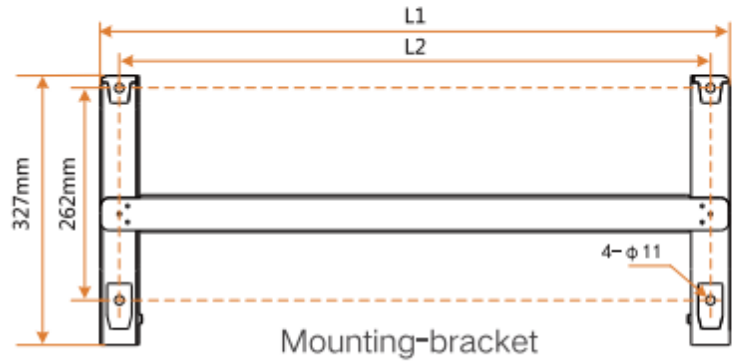
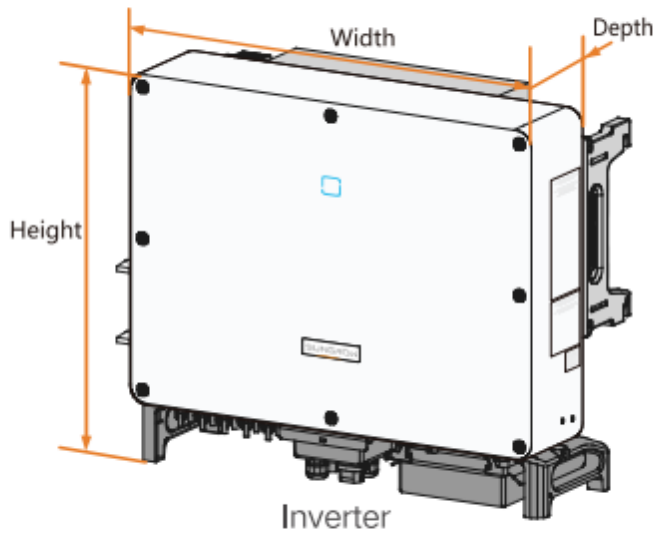
1. LED indicator 2. Mounting ear 3. Side handles 4. Warning symbols, nameplate, and QR code
5. Additional grounding terminals 6. Bottom handles 7. DC switches* 8. Wiring area

*Devices for Australia and New Zealand are not equipped with DC switches.

MONTAGE-INSTRUCTIE

SUNGROW SG30CX, SG33CX, SG40CX, SG50CX

1-2 Dimensions



Type	(WxHxD)	Weight	L1	L2
SG30/33CX	702x595x310 (mm)	50kg	687mm	640mm
SG40CX	782x645x310 (mm)	58kg	767mm	720mm
SG50CX	782x645x310 (mm)	62kg	767mm	720mm

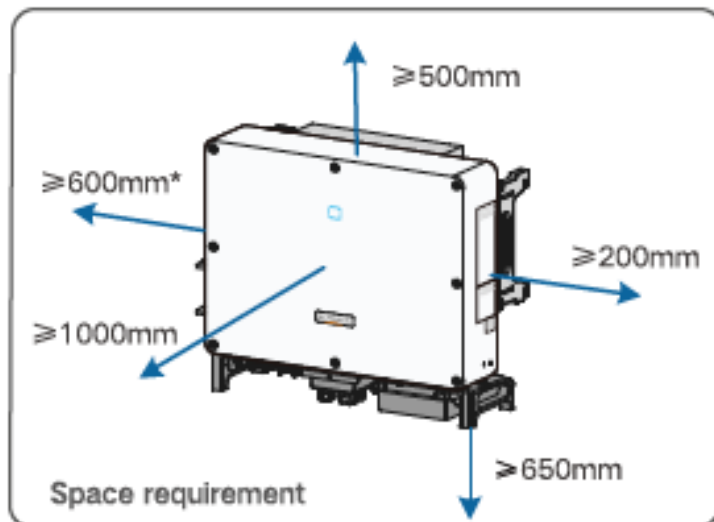
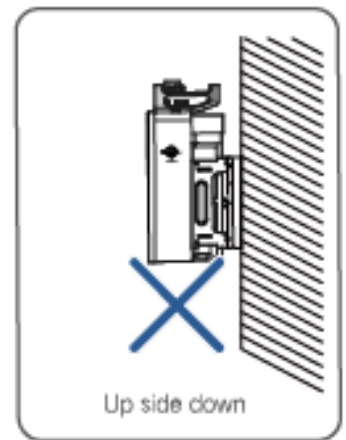
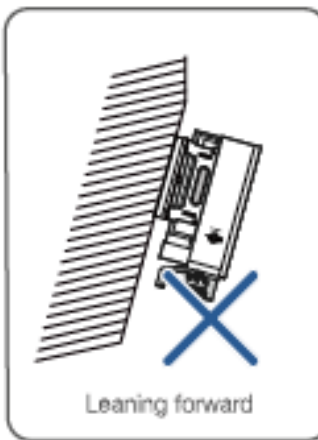
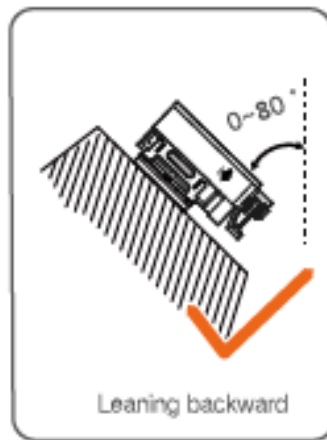
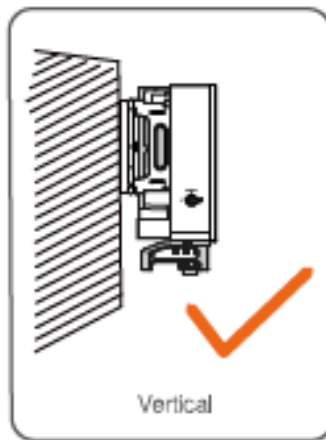
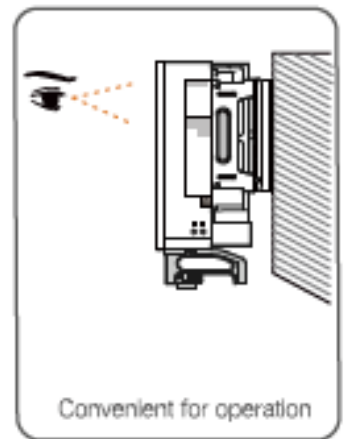
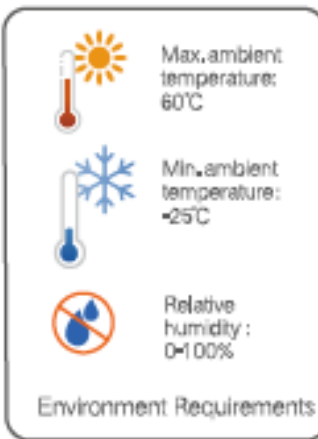
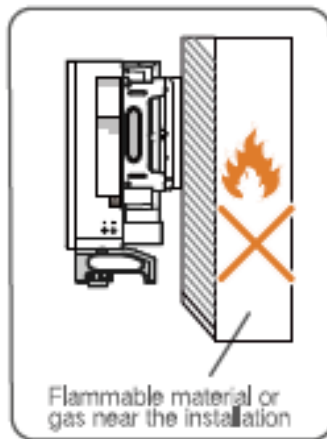
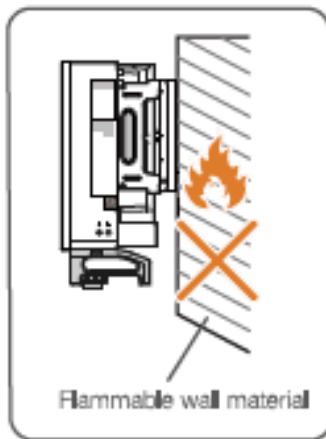
*The image shown here is for reference only.
The actual product you receive may differ.

MONTAGE-INSTRUCTIE

SUNGROW SG30CX, SG33CX, SG40CX, SG50CX

2 Mechanical Mounting

2-1 Location Selection

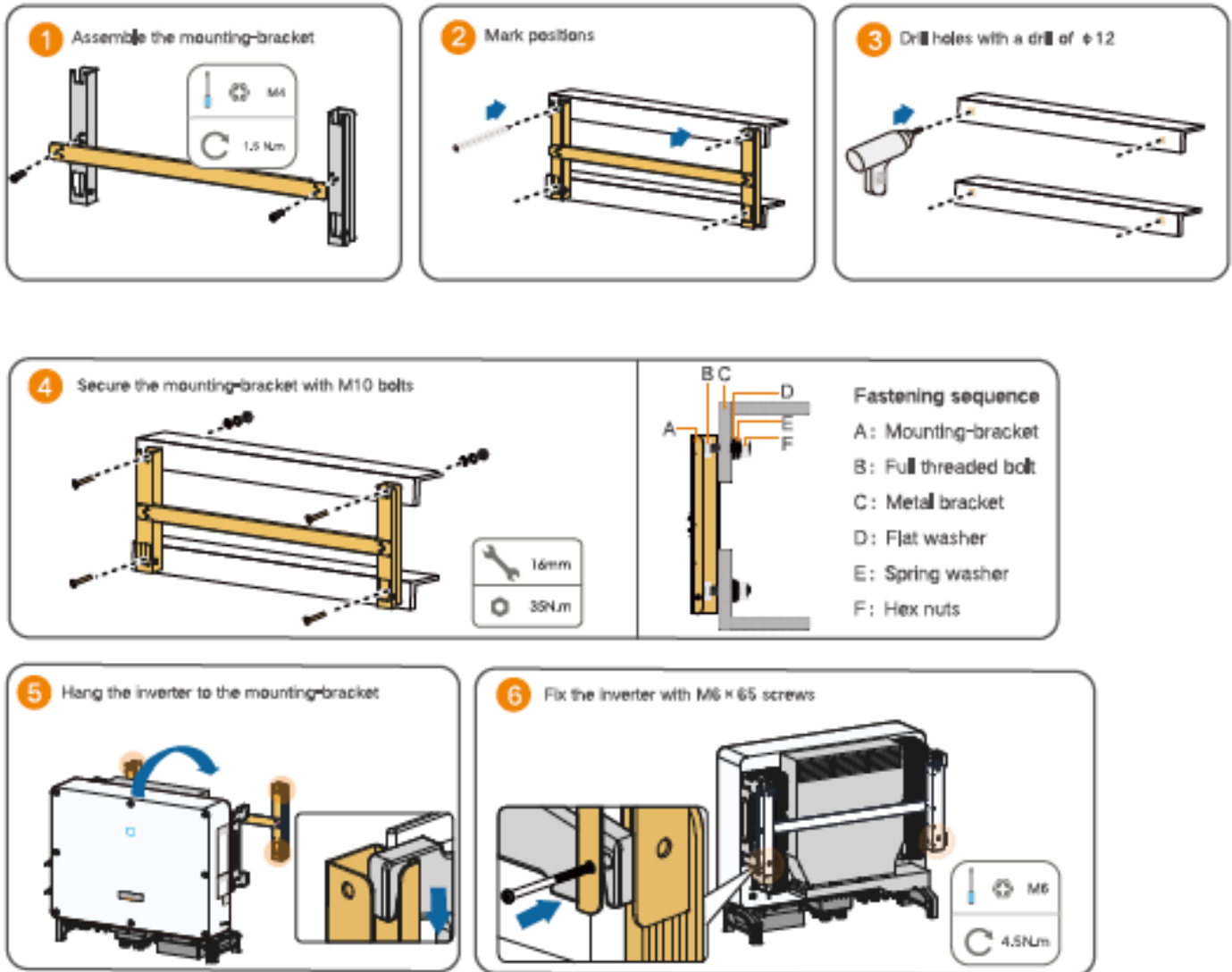


i * The distance can be shortened to 200mm according to onsite conditions. In case the distance is less than 600mm, move the inverter from the mounting-bracket or wall before maintaining fans.

MONTAGE-INSTRUCTIE

SUNGROW SG30CX, SG33CX, SG40CX, SG50CX

2-2 Installation

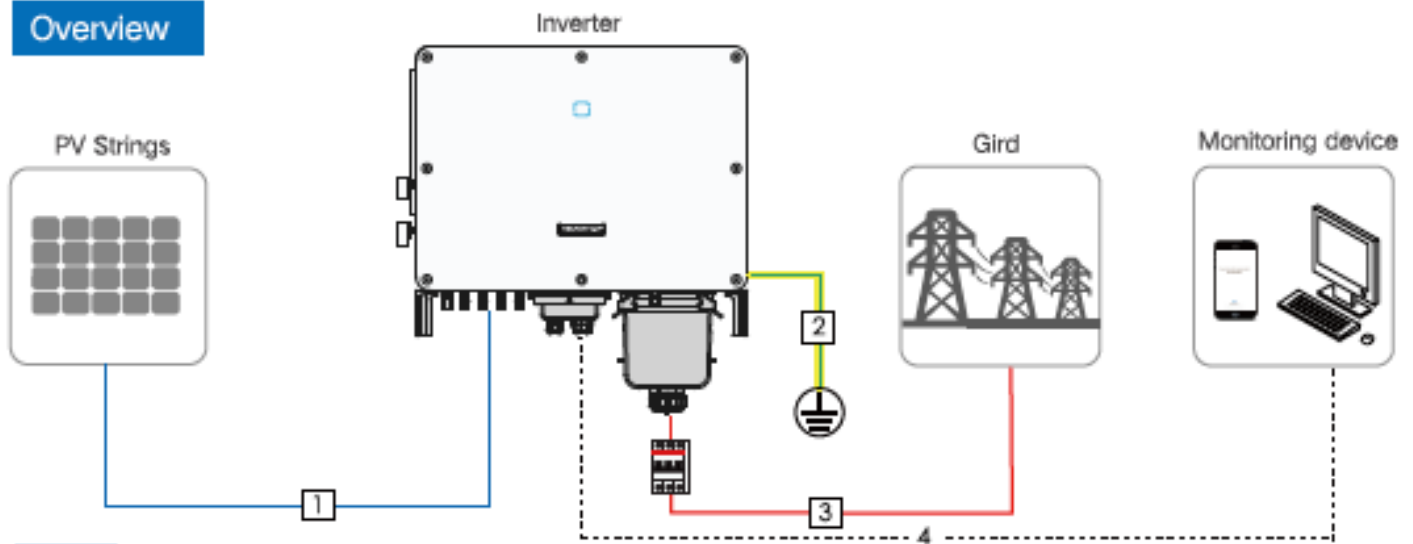


MONTAGE-INSTRUCTIE

SUNGROW SG30CX, SG33CX, SG40CX, SG50CX

3 Electrical Connection

Overview



3-1 Cable requirements

No	Cable	Type	Outer diameter(mm)	Cross section(mm ²)
1	DC cable	PV cable complying with 1,500V standard	6-9	4-6
2	Additional grounding cable	Outdoor single-core copper wire cable	/	The same as that of the PE wire in the AC cable
3	AC cable	Outdoor multi-core copper or aluminium cable	20-50	L1,L2,L3,N (SG30/33CX): 16-35 L1,L2,L3,N (SG40CX): 25-50 L1,L2,L3,N (SG50CX): 35-70 PE wire: Depends on phase wire cross-section S, When 16 < S ≤ 35, it is 16, When S > 35, it is S/2.
4	Communication cable	Shielded twisted pair (terminal block) CAT-5 Ethernet cable (RJ45)	4,5-18	1-1,5 /

⚠ NOTICE

- The DC cable must be a multi-core cables.