

MONTAGE-INSTRUCTIE

SUNGROW SG250HX

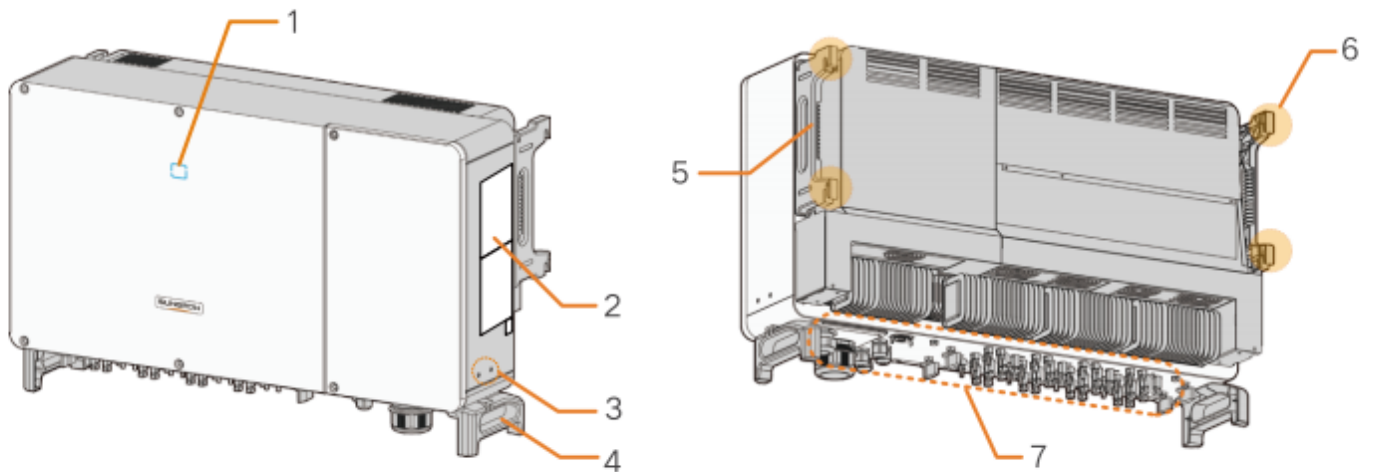
This guide is valid for inverters SG250HX, providing the installation, electrical connection, commissioning and troubleshooting procedure.

NOTICE

- Contents may be periodically updated or revised due to product development. The information in this guide is subject to change without notice. In no case shall this guide substitute for the user manual or related notes on the device.
- Make sure to read over, fully understand and strictly follow the detailed instructions of the user manual and other related regulations before installing the equipment. The user manual can be downloaded by visiting the website at <http://support.sungrowpower.com/>; or it can be obtained by scanning the QR code on the side of the equipment or the back cover of this guide.
- All operations can be performed only by qualified personnel, that must be trained in the installation and commissioning of the electrical system, as well as the dealing with hazards, have knowledge of the manual and of the local regulations and directives.
- Before installation, check that the package contents are intact and complete against the packing list. Contact SUNGROW or the distributor in case of any damaged or missing components.
- The cable must be intact and well insulated. Operation personnel must wear proper personal protective equipment (PPE) all the time.

1 Product Introduction

1-1 Appearance

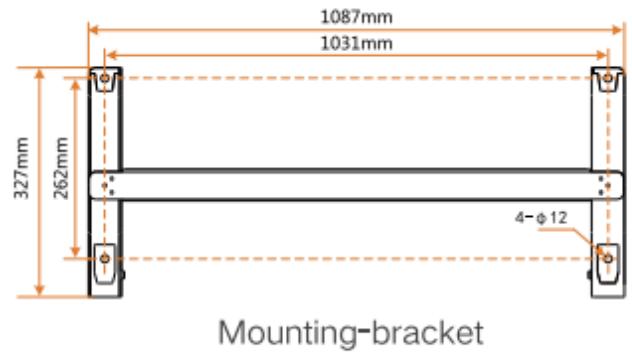
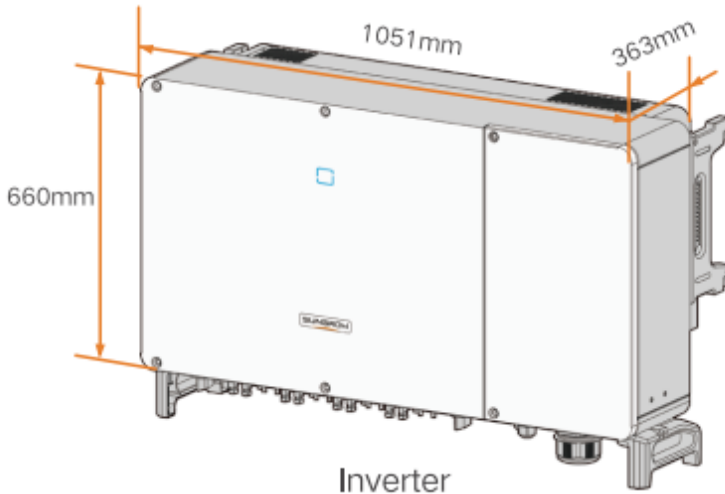


1. LED indicator 2. Warning symbols, nameplate, and QR code 3. Additional grounding terminals 4. Bottom handles
5. Side handles 6. Mounting ear 7. Wiring area

MONTAGE-INSTRUCTIE

SUNGROW SG250HX

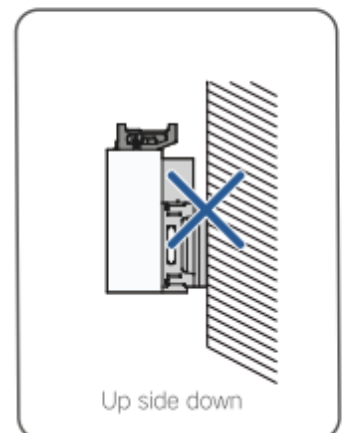
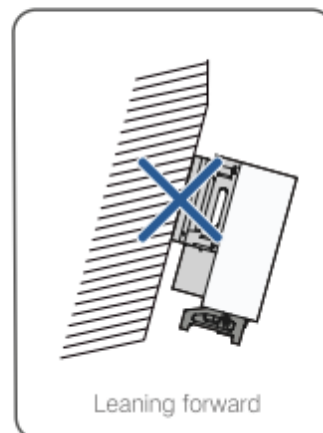
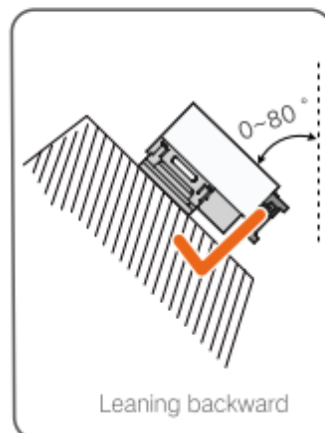
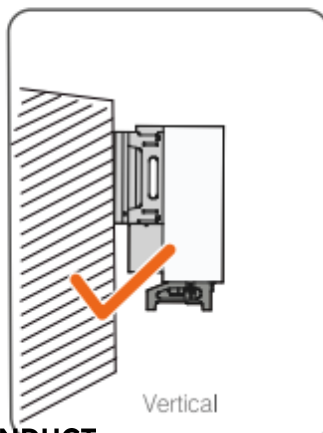
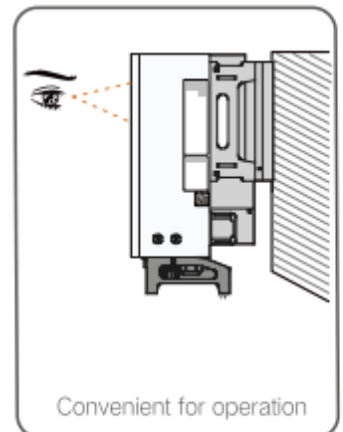
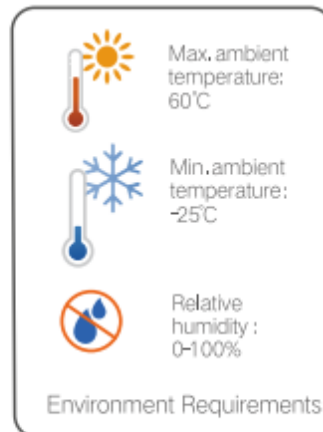
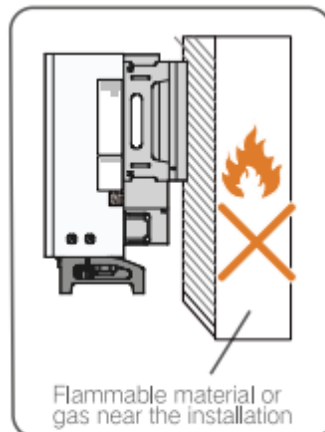
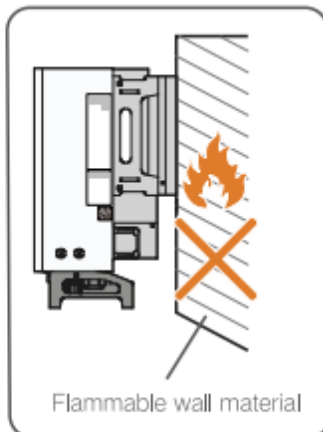
1-2 Dimensions



*The image shown here is for reference only. The actual product you receive may differ.

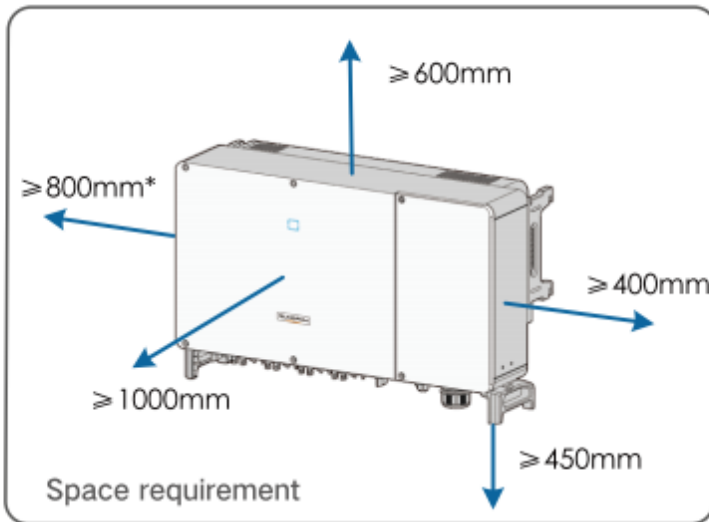
2 Mechanical Mounting

2-1 Location Selection



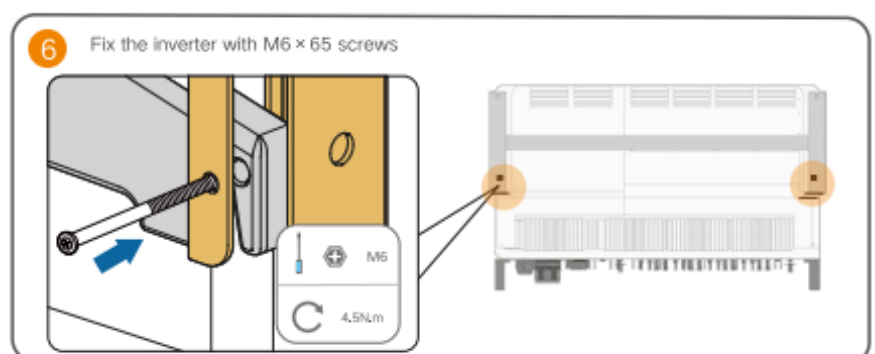
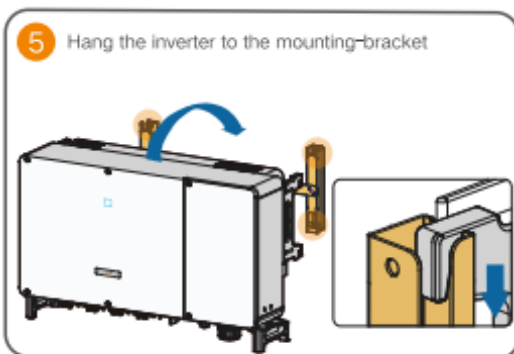
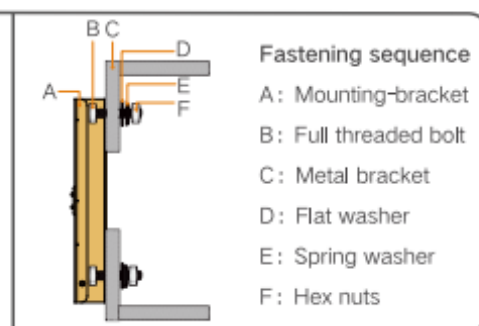
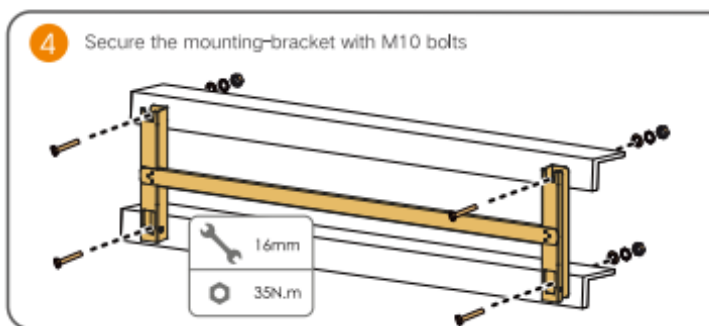
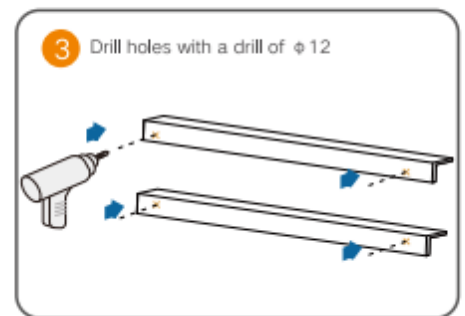
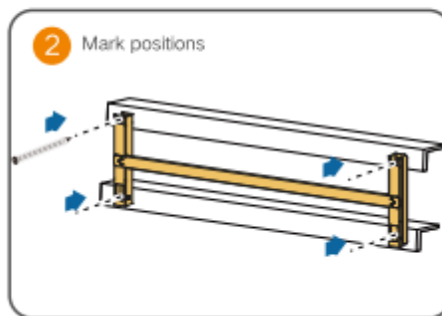
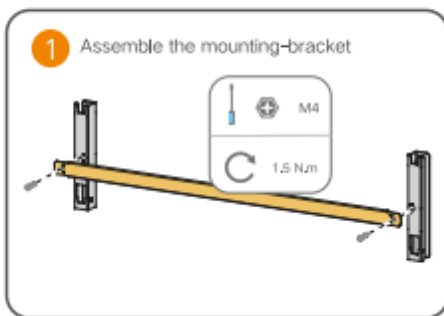
MONTAGE-INSTRUCTIE

SUNGROW SG250HX



i * The distance can be shortened to 200mm according to onsite conditions. In case the distance is less than 800mm, move the inverter from the mounting-bracket or wall before maintaining fans.

2-2 Installation

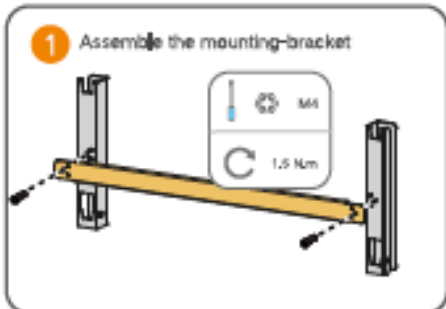


MONTAGE-INSTRUCTIE

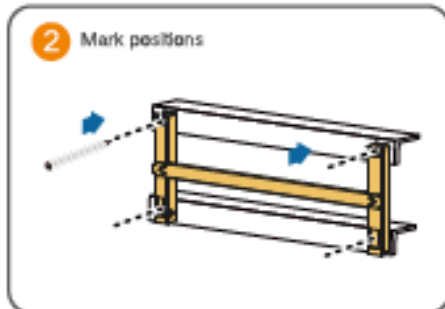
SUNGROW SG250HX

2-2 Installation

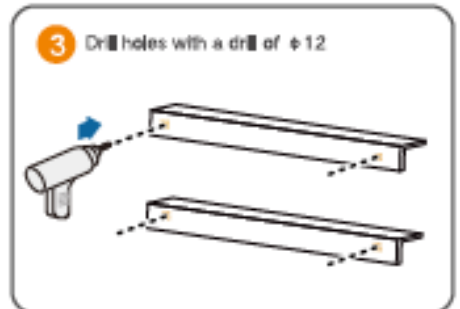
1 Assemble the mounting-bracket



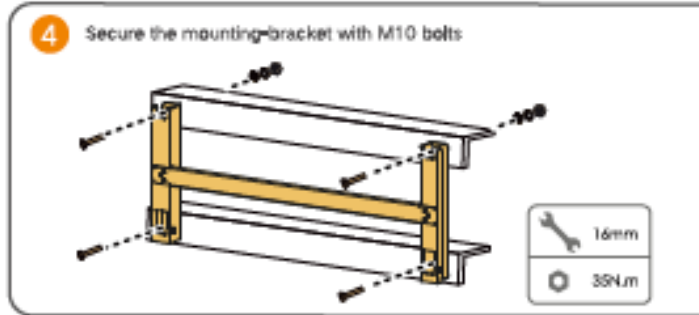
2 Mark positions



3 Drill holes with a drill of $\varnothing 12$

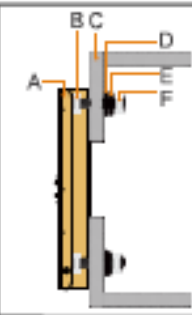


4 Secure the mounting-bracket with M10 bolts

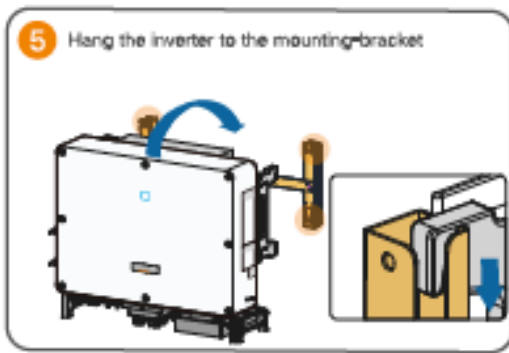


Fastening sequence

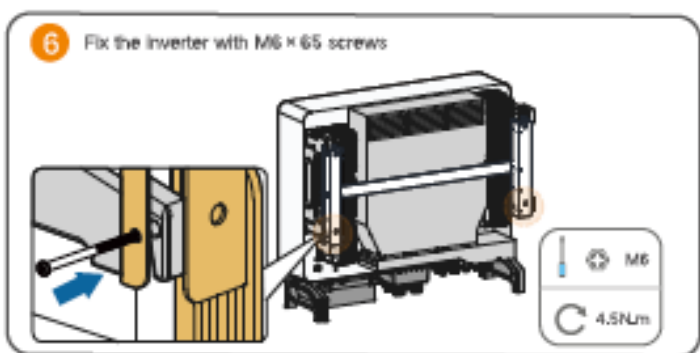
- A: Mounting-bracket
- B: Full threaded bolt
- C: Metal bracket
- D: Flat washer
- E: Spring washer
- F: Hex nuts



5 Hang the inverter to the mounting-bracket



6 Fix the inverter with M6 x 65 screws

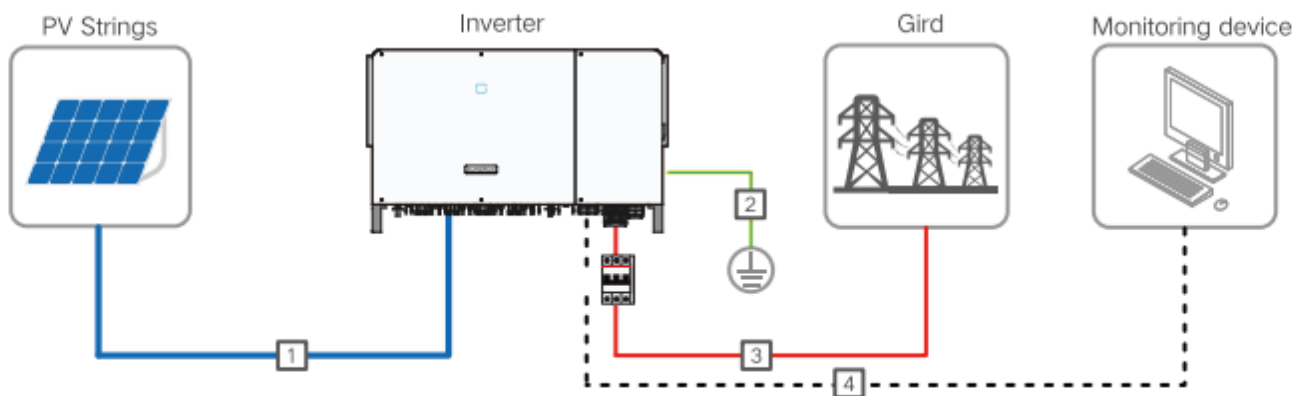


MONTAGE-INSTRUCTIE

SUNGROW SG250HX

3 Electrical Connection

Overview



3-1 Cable requirements

No	Cable	Type	Outer diameter(mm)	Conductor cross section(mm ²)
1	DC cable	PV cable complying with 1,500V standard	6~9	4~6
2	Additional grounding cable	Outdoor single-core copper wire cable	/	The same as that of the PE wire in the AC cable
		Four-core copper or aluminum cable	38~56	L1,L2,L3: 70~240 PE wire: Phase cable /2
3	AC cable	Four single-core outdoor copper or aluminum cables*	14~32	L1,L2,L3: 70~300 PE wire: Phase cable /2
4	Communication cable	Shielded twisted pair	4.5~18	1~1.5

*If case of four single-core cables, an spare AC sealing plate accessory is required. To purchase the AC sealing plate accessory, contact SUNGROW.

⚠ NOTICE

- The DC cable must be a multi-core cables.