

MONTAGE-INSTRUCTIE

SMA SHP 100-20/ SHP 150-20

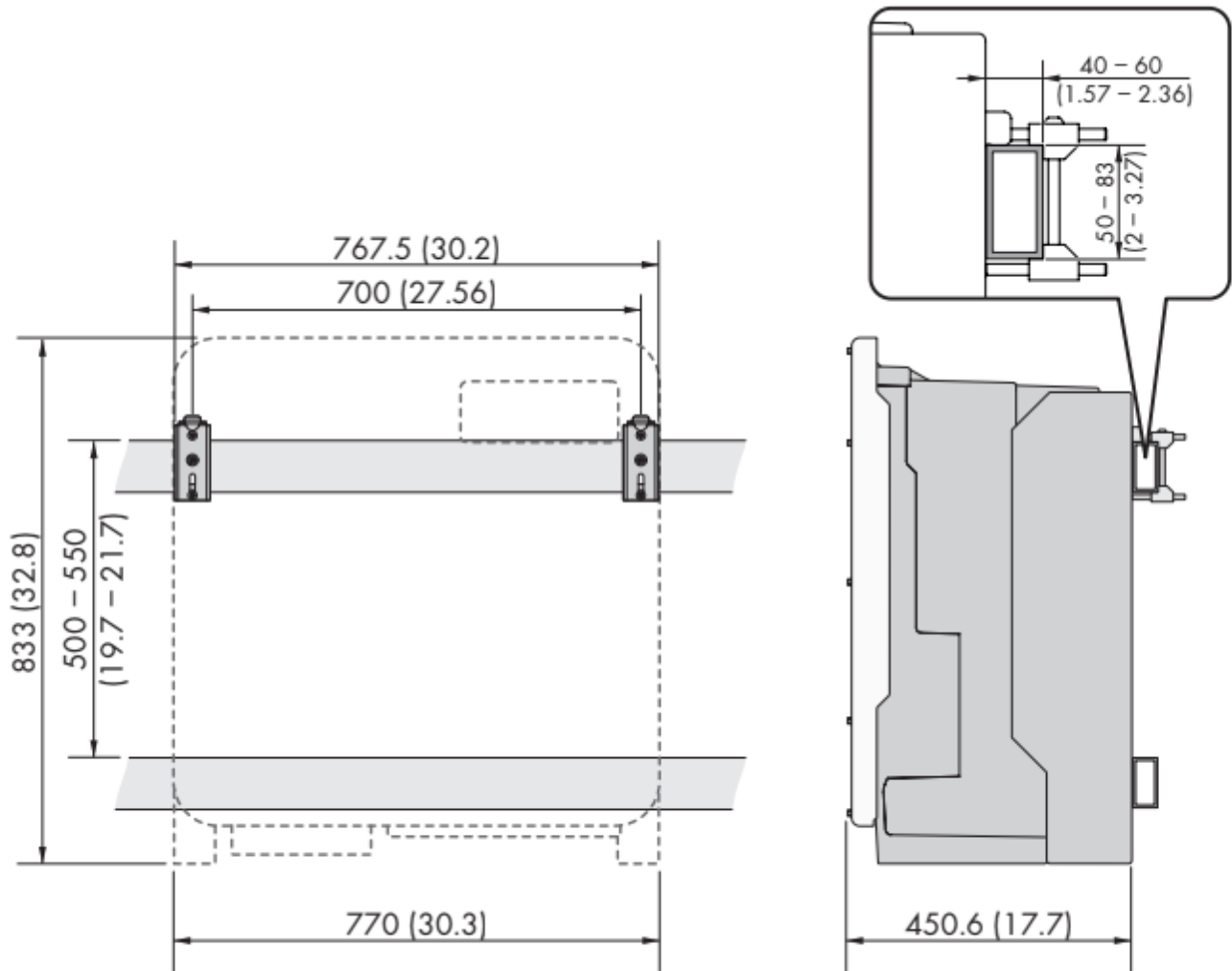


Figure 3: Dimensions of the profile rails and the clamping range of the mounting bracket (dimensions in mm (in))

Center of gravity:

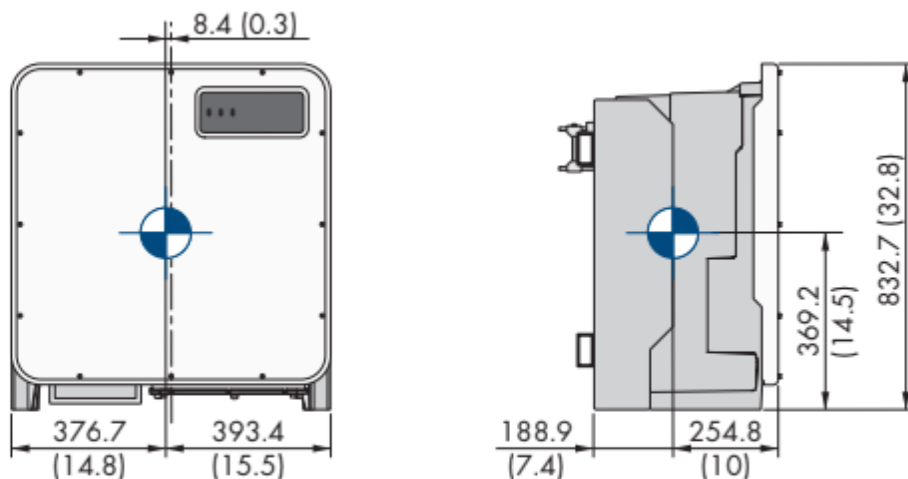


Figure 4: Dimensions of the center of gravity of the product (dimensions in mm (in))

MONTAGE-INSTRUCTIE

SMA SHP 100-20/ SHP 150-20

Permitted and prohibited mounting positions:

- The product may only be mounted in a permitted position. This will ensure that no moisture can penetrate the product.
- The product should be mounted such that the LED signals can be read off without difficulty.

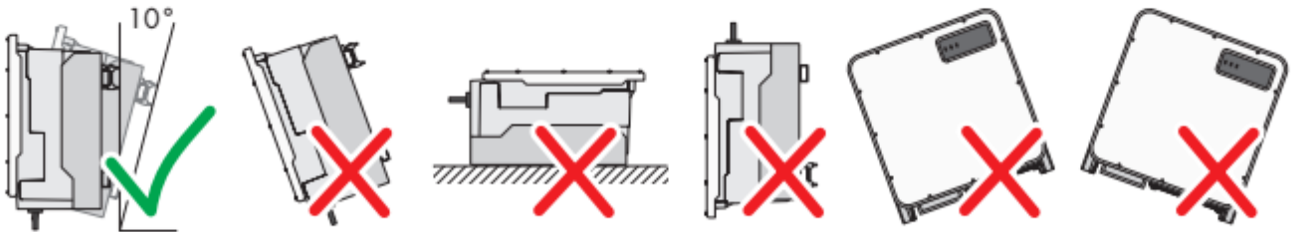


Figure 5: Permitted and prohibited mounting positions

Recommended clearances:

If you maintain the recommended clearances, adequate heat dissipation will be ensured. Thus, you will prevent power reduction due to excessive temperature.

- Maintain the recommended clearances to walls as well as to other inverters or objects.

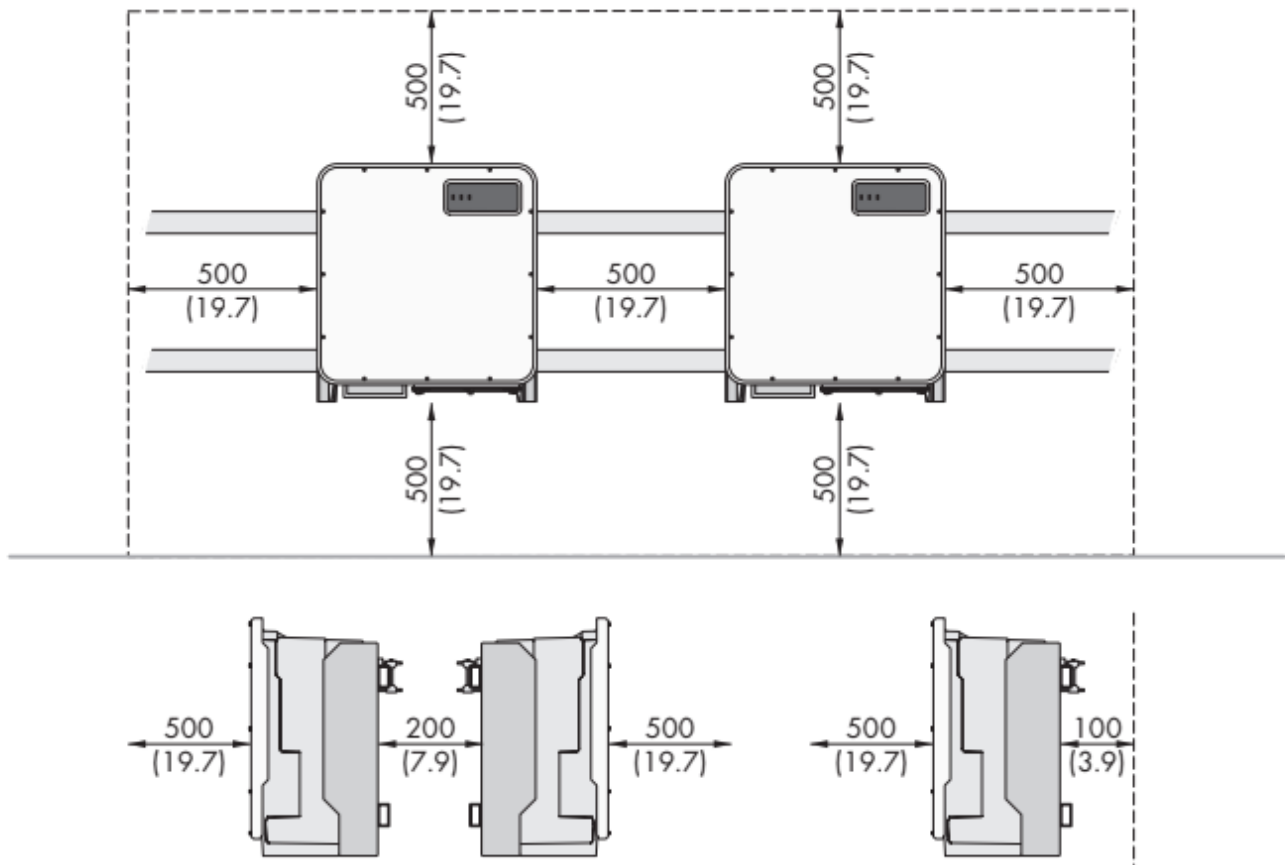


Figure 6: Recommended clearances(Dimensions in mm)

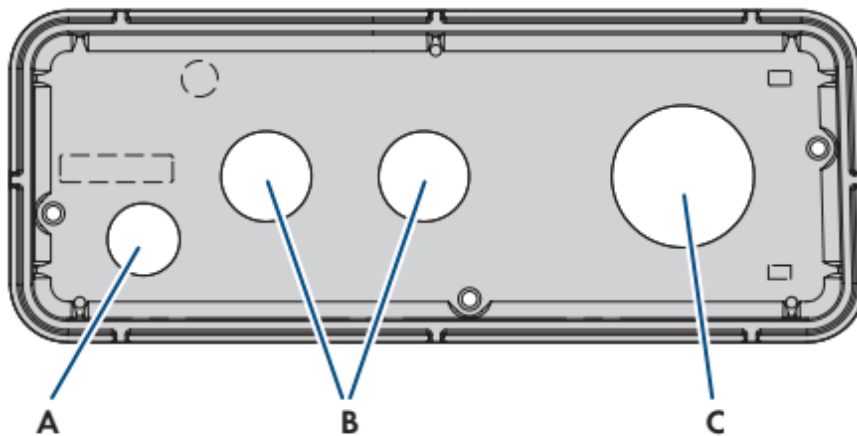
MONTAGE-INSTRUCTIE

SMA SHP 100-20/ SHP 150-20

6.2 Connecting Plates Overview

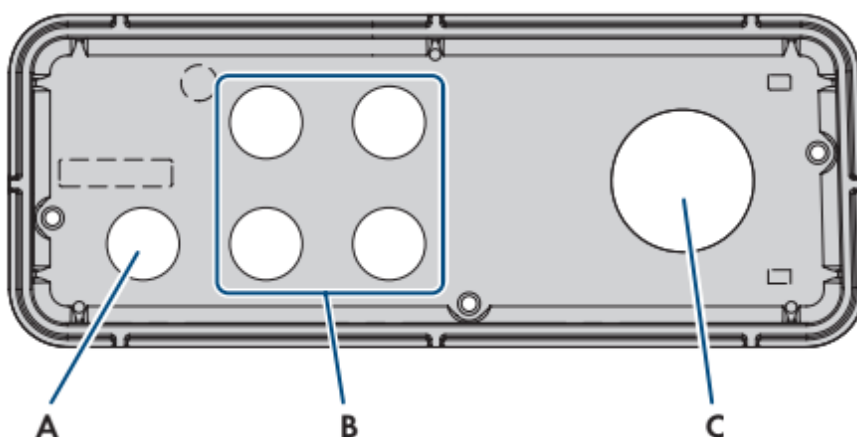
A standard connecting plate is included in the scope of delivery. Another alternative connecting plate can be purchased optionally.

Standard connecting plate



Position	Designation
A	Entry for network cable (M32)
B	Entry for DC cable (M40)
C	Entry for AC cable (M63)

Optionally available connecting plate



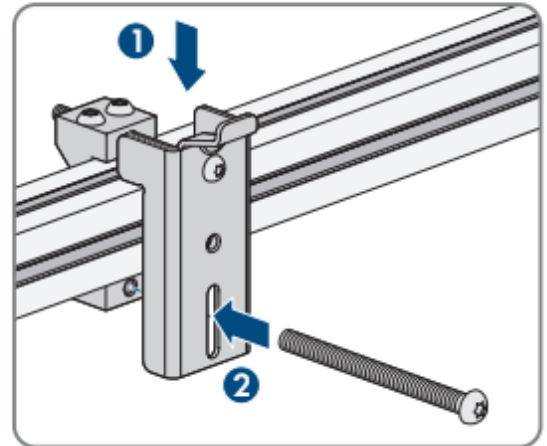
Position	Designation
A	Entry for network cable (M32)
B	Entry for DC cable (M32)
C	Entry for AC cable (M63)

MONTAGE-INSTRUCTIE

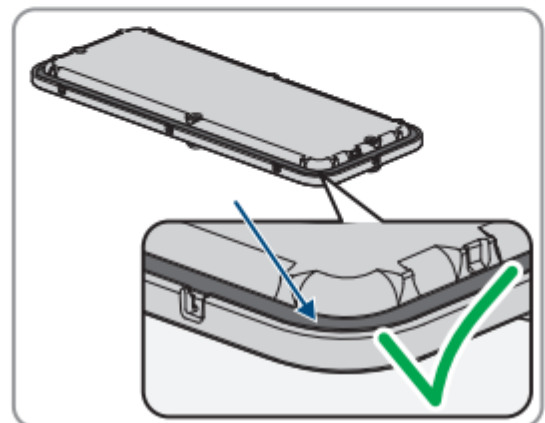
SMA SHP 100-20/ SHP 150-20

Procedure:

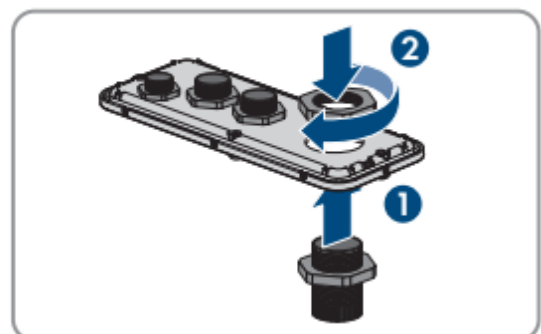
1. Mark the position for the mounting brackets.
2. Hook each mounting bracket onto the mounting rail and insert the screw (M8x105).



3. Fasten all four screws of each mounting bracket hand-tight (TX40).
4. Ensure the correct position of the mounting brackets by hooking in the mounting template. If the position is incorrect, move the mounting brackets to the correct position.
5. Tighten all four screws of each mounting bracket (TX40, torque: 12 Nm \pm 2 Nm).
6. Clip the mounting template into the mounting brackets.
7. Align the cables by means of the mounting template and shorten if necessary. Take the product depth of 400 mm into account.
8. Check on the connection plate whether the seal is present and undamaged.



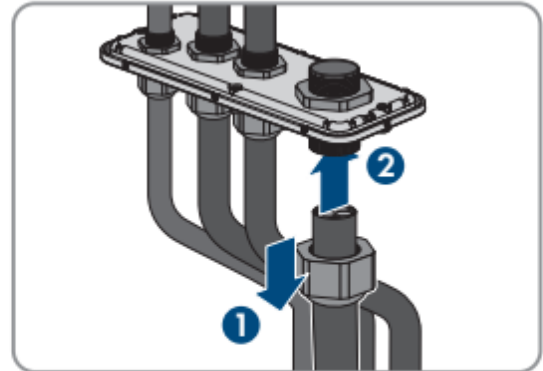
9. Thread the swivel nuts of the cable glands over the cables.
10. Attach the cable glands to the connecting plate.



MONTAGE-INSTRUCTIE

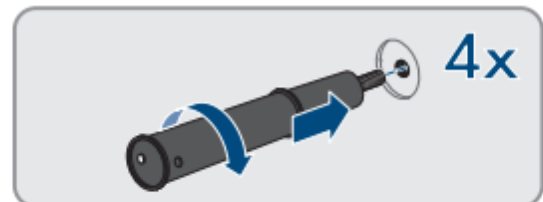
SMA SHP 100-20/ SHP 150-20

11. Lead the cables through the cable glands in the connecting plate and align the connecting plate by means of the mounting template.

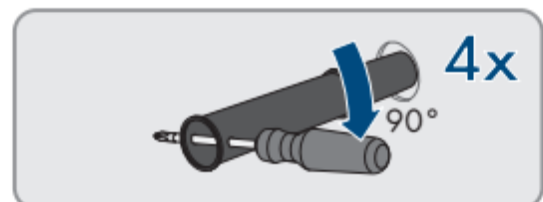


12. Remove the mounting template.

13. Screw the transport handles as far as they will go into the taps on the right- and left-hand side until they lie flush with the enclosure. When doing so, ensure that the transport handles are screwed into the taps so that they are perfectly straight. If the transport handles are not screwed in straight, this can make it more difficult or even impossible to unscrew them later on and can damage the taps to the extent that transport handles can no longer be screwed into them.

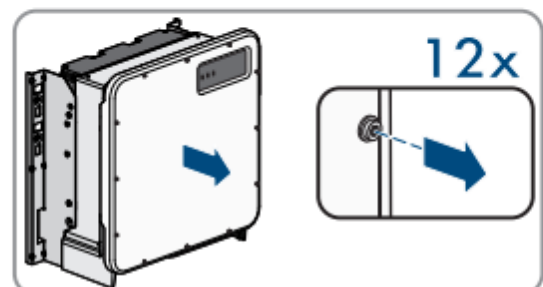


14. Insert a screwdriver into the holes in the transport handle and turn the screwdriver through 90°. This ensures that the transport handles are securely tightened.



15. If the inverter is to be hooked into the mounting brackets by means of a hoist, screw the eye bolts into the threads on the top of the inverter and attach the hoist to them. The hoist must be suitable to take the weight of the inverter.

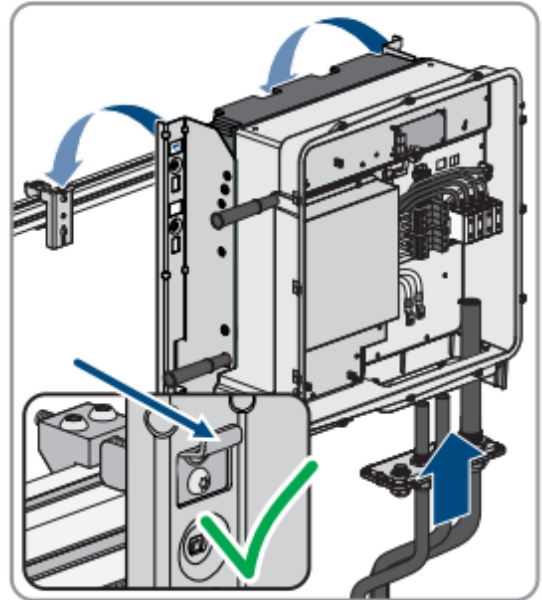
16. Unscrew all screws of the enclosure lid (TX25) and remove it.



MONTAGE-INSTRUCTIE

SMA SHP 100-20/ SHP 150-20

17. Set the screws and the enclosure lid aside and store safely.
18. Hook the product into the mounting brackets. To do this, guide the product over the cables and the connecting plate so that the cables protrude through the opening into the product and the connecting plate sits under the opening. The bracket must protrude through the upper opening.

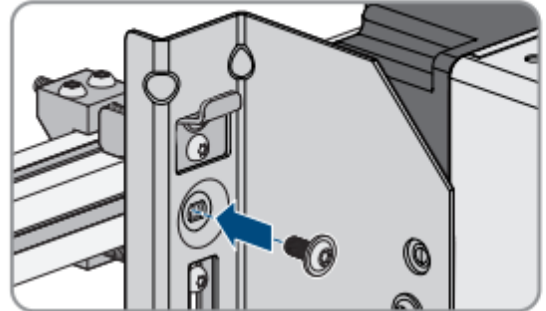


19. Align the cables according to the corresponding terminals and shorten the cables if necessary.

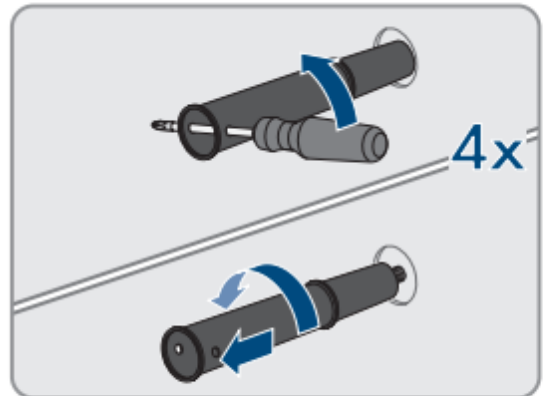
MONTAGE-INSTRUCTIE

SMA SHP 100-20/ SHP 150-20

20. Secure the product with one screw each on the right and left on the mounting bracket (M8x16, TX40, 12 Nm \pm 2 Nm).



21. Remove all four transport handles from the threaded holes. If necessary, insert a screwdriver into the holes on the transport handle and use the screwdriver to remove the transport handle.



22. Fasten the connecting plate to the enclosure using three screws (M8x70, TX40, torque: 8 Nm \pm 0.5 Nm).

