

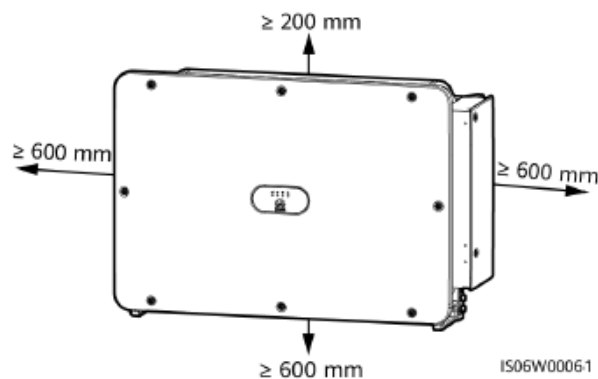
MONTAGE INSTRUCTIE

HUAWEI SUN2000-(175KTL-H0, 185KTL-INH0, 185KTL-H1)

4.3.2 Space Requirements

- Reserve enough clearance around the inverter and select an appropriate installation angle to ensure sufficient space for installation and heat dissipation.

Figure 4-4 Installation space



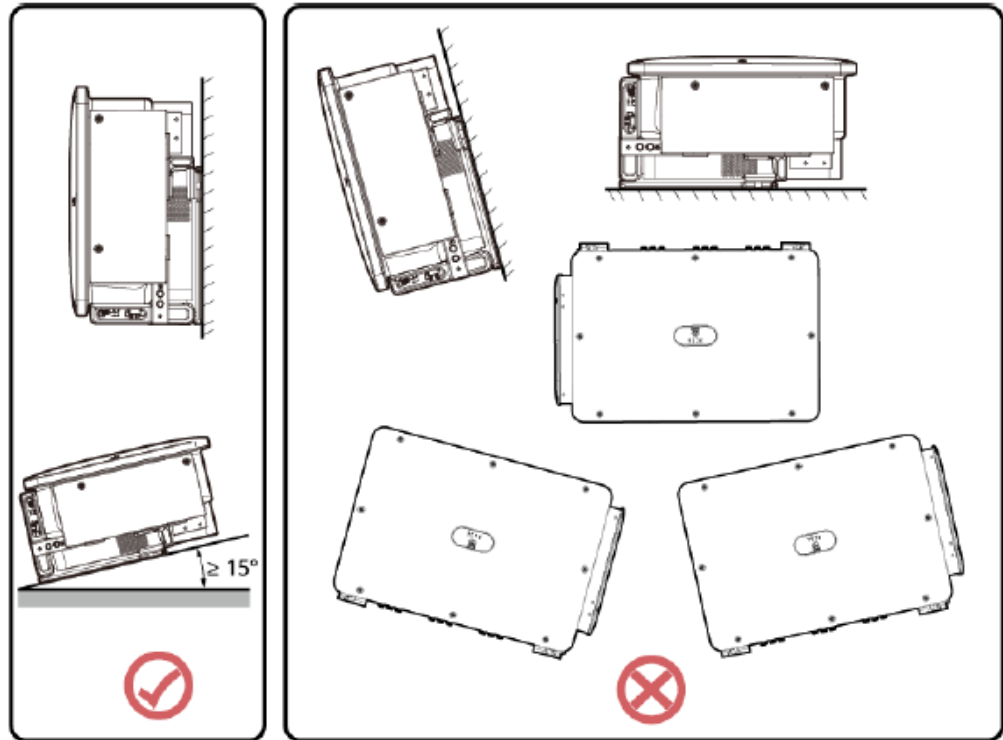
NOTE

For ease of installing the inverter on the mounting bracket, connecting cables to the bottom of the inverter, and maintaining the inverter in future, it is recommended that the bottom clearance be between 600 mm and 730 mm. If you have any question about the clearance, consult the local technical support engineers.

MONTAGE INSTRUCTIE

HUAWEI SUN2000-(175KTL-H0, 185KTL-INH0, 185KTL-H1)

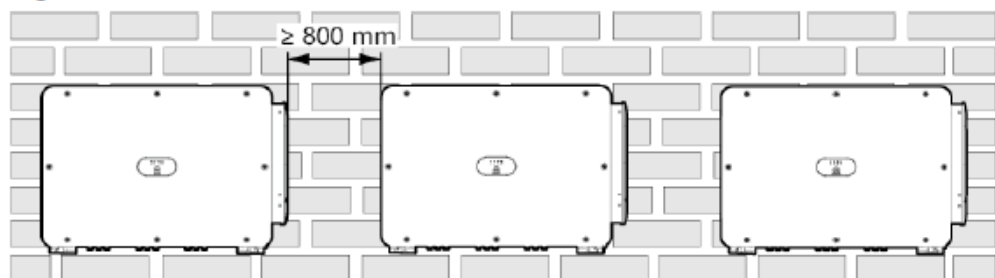
Figure 4-5 Installation angle



IS06W00043

- When installing multiple inverters, install them in horizontal mode if sufficient space is available and install them in triangle mode if no sufficient space is available. Stacked installation is not recommended.

Figure 4-6 Horizontal installation mode (recommended)



IS06W00046

MONTAGE INSTRUCTIE

HUAWEI SUN2000-(175KTL-H0, 185KTL-INH0, 185KTL-H1)

Figure 4-7 Triangle installation mode (recommended)

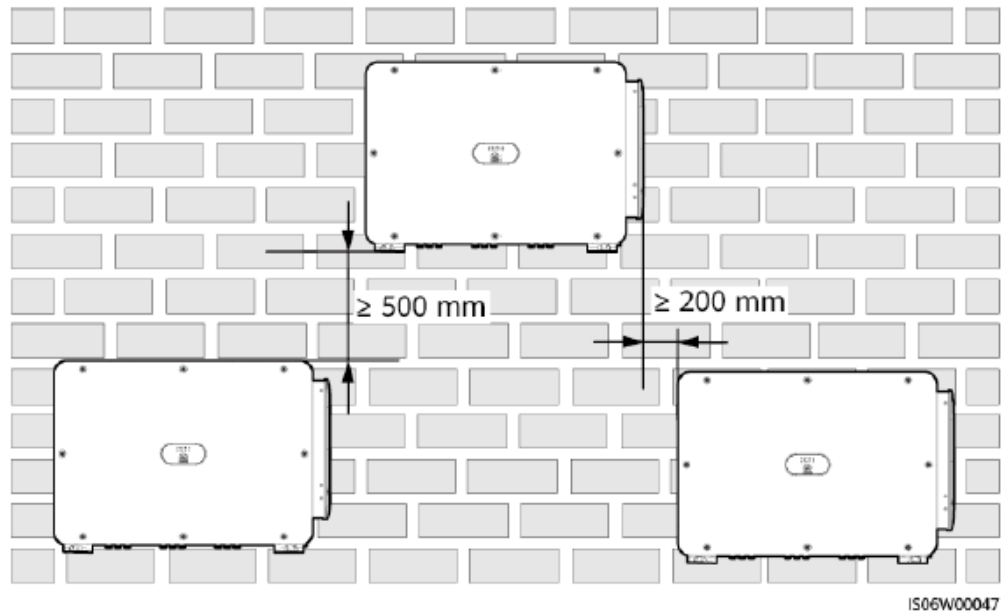


Figure 4-8 Stacked installation mode (not recommended)

