

MONTAGE INSTRUCTIE

GROWATT SPH3000 - SPH5600

5.1 Basic installation requirements

- A. The installation location must be suitable for SPH's weight for a long period time
- B. The installation location must conform with dimension of SPH
- C. Do not install the unit on structures constructed of flammable or thermo labile materials
- D. The ingress Protection rate is IP65 and the pollution degree is Pd2. and SPH can't be enclosed. Please refer to the below:



Chart 5.1

- E. Battery installation option is not far away from the position of SPH, the length between SPH and battery should not be more than 1.5m.
- F. The ambient temperature should be $-25^{\circ}\text{C} \sim 60^{\circ}\text{C}$
- G. SPH can be installed in vertical or lean back on plane, please refer to the below

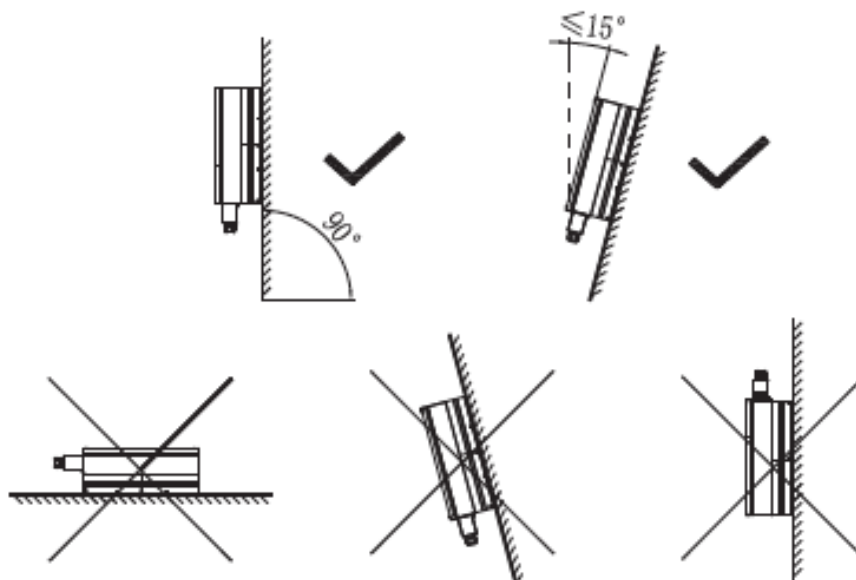


Chart 5.2

MONTAGE INSTRUCTIE

GROWATT SPH3000 - SPH5600

- H. Installation position shall not prevent access to the disconnection means.
- I. In order to ensure machine can run normally and easy to operate, please pay attention to provide adequate space for SPH, please refer to below:

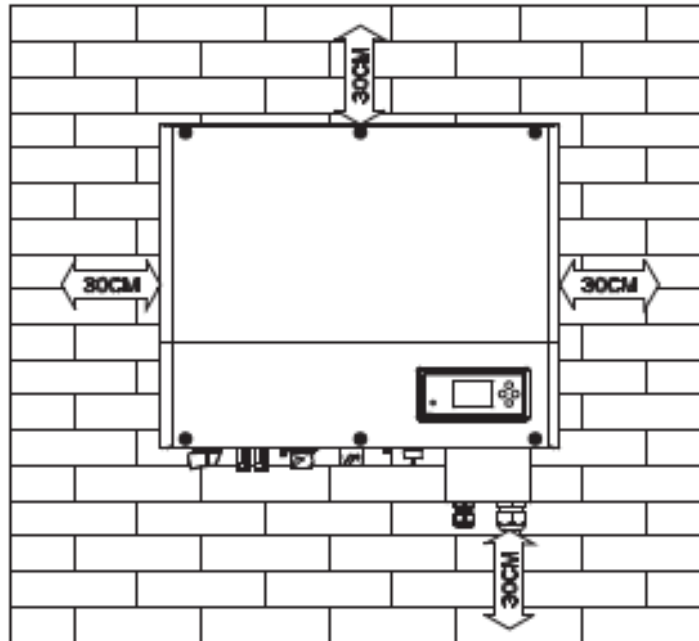


Chart 5.3

- J. Do not install the machine near television antenna or any other antennas and antenna cables
- K. Don't install the machine in the living area
- L. Be sure that the machine is out of the children's reach
- M. Taking the battery fixing space into account, about the dimensions please reference user manual
- N. The inflammable and explosive dangerous goods must not be placed around battery in case of cause serious danger.

MONTAGE INSTRUCTIE

GROWATT SPH3000 - SPH5600

5.3.2 Installation of SPH

1. Project the machine's probably size on the wall; The thickness of wall for SPH must be not less than 60mm.

2. Make sure the drill position, use paper board (installation guide), put the paper board cling to the wall, make sure the top edge of paper board is level (As the chart 5.8a below).

3. Mark four points at the wall via the hole of the paper board, then remove the paper board.

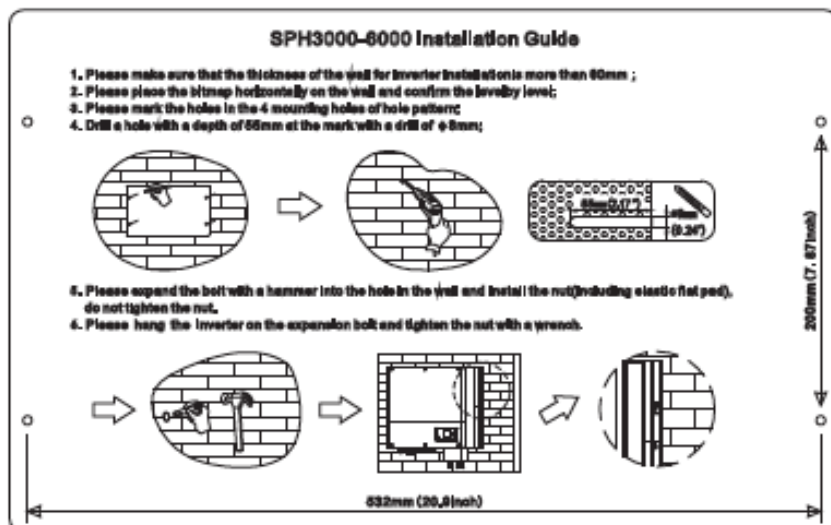
4. Drill four $\Phi 8$ holes at the mark point, the depth is not less than 55mm.

5. Knock four expansion bolt into $\Phi 8$ holes (As the chart 5.8b below).

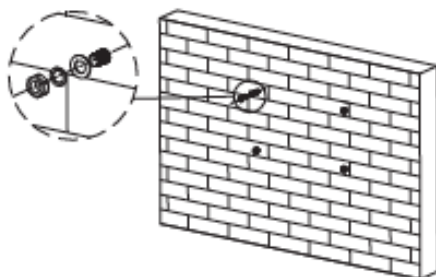
6. Hang the energy storage machine on the four setscrews (As the chart 5.8c below).

7. Lock the nut of setscrew (As the chart 5.8d below).

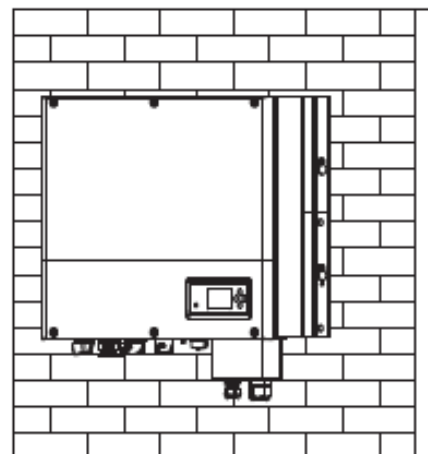
8. The whole installation has finished.



a)



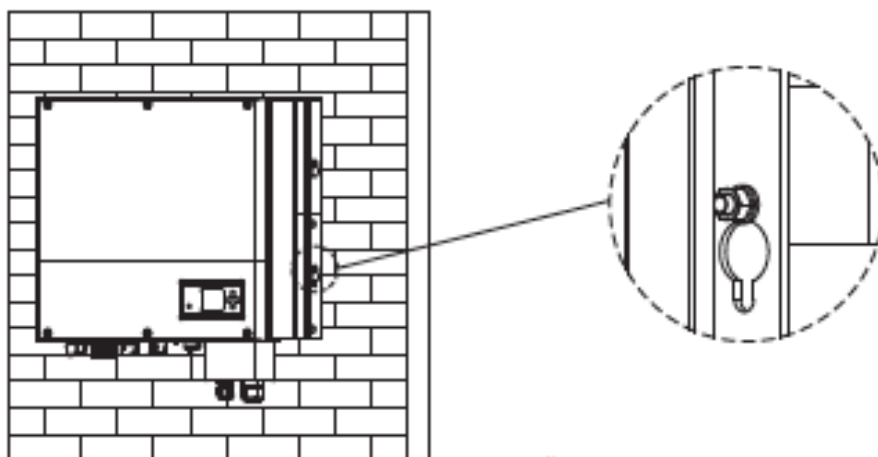
b)



c)

MONTAGE INSTRUCTIE

GROWATT SPH3000 - SPH5600



d)
Chart 5.8