

MONTAGE INSTRUCTIE

GROWATT MID17KTL3-MID40KTL3

5.1 Basic installation requirements

- The wall on which the inverter is mounted must be sturdy and can withstand the weight of the inverter for a long time (refer to the specifications in Chapter 12 for the weight of the inverter);
- The installation location must match the size of the inverter;
- Do not install the inverter on a building constructed of flammable or heat-resistant materials;
- Install the inverter in an eye-view orientation to facilitate inspection of the OLED display and maintenance work;
- The machine's degree of protection is IP66 and can be installed indoors and outdoors;
- It is not recommended to expose the inverter directly to strong sunlight to prevent overheating and cause power derating;
- The humidity of the installation environment should be between 0 and 90%;
- The ambient temperature around the inverter should be between $-25^{\circ}\text{C} \sim 60^{\circ}\text{C}$;
- The inverter can be mounted on a plane that is tilted vertically or backwards.

Please refer to the following figure:

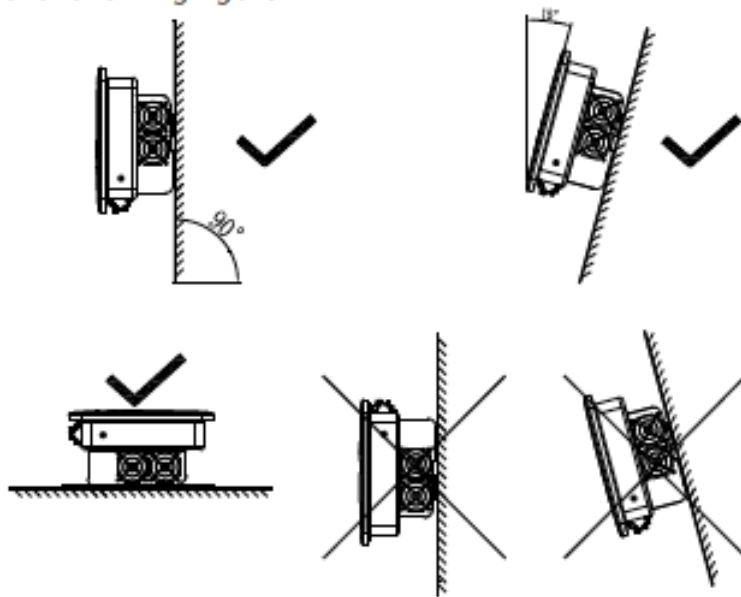


Fig 5.1 Installation diagram

- In order to ensure the normal operation of the machine and the convenience of personnel operation, please pay attention to provide sufficient clearance for the inverter. Please refer to the figure below:

Direction	Minimum clearance (mm)
Above	300
Under	500
Both sides	500
Forward	300

MONTAGE INSTRUCTIE

GROWATT MIDI7KTL3-MID40KTL3

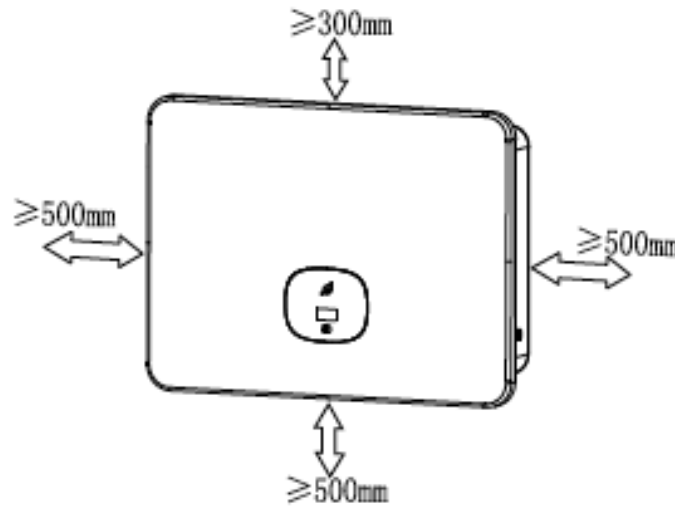


Fig 5.2 Installation dimensions for one inverter

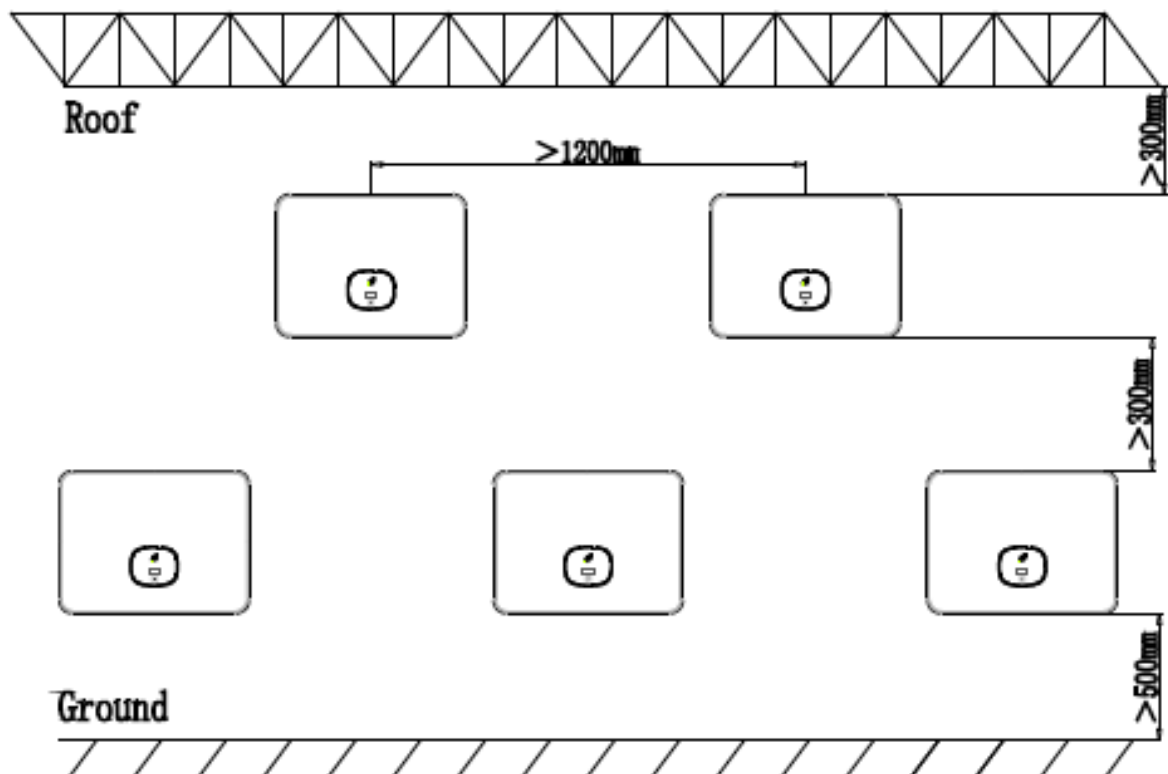


Fig 5.3 Installation dimensions for multiple inverters

- Do not install the inverter on the TV antenna, other antennas or antenna cables;
- Do not install the inverter in the living area;
- Do not install the inverter where children can reach it;
- The inverter should be installed in a sheltered and protected location such as cool, rain-proof;

MONTAGE INSTRUCTIE

GROWATT MID17KTL3-MID40KTL3

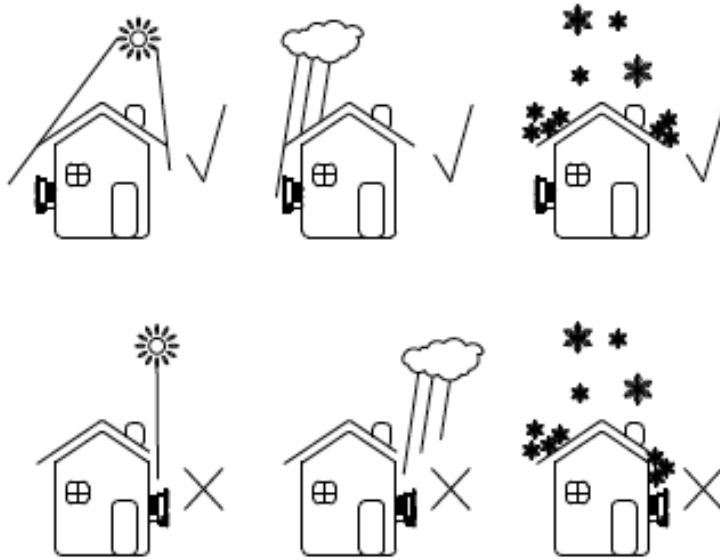


Fig 5.4 Installation Environment

- Make sure that the inverter is installed in a suitable place and is not allowed to be installed in a closed box;

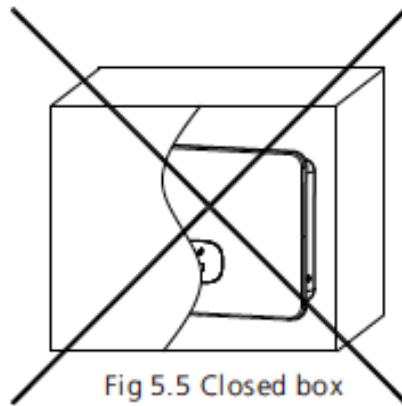


Fig 5.5 Closed box

- In order to reduce the inverter load and extend the life of the inverter due to direct sunlight, we recommend installing a awning. The distance between the awning and the inverter is as follows:

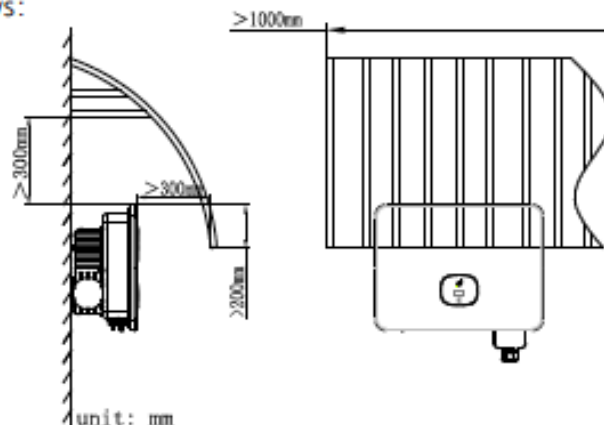


Fig 5.6 Sunshade

MONTAGE INSTRUCTIE

GROWATT MID17KTL3-MID40KTL3

5.2 Install the wall mount

5.2.1 Install the wall mount

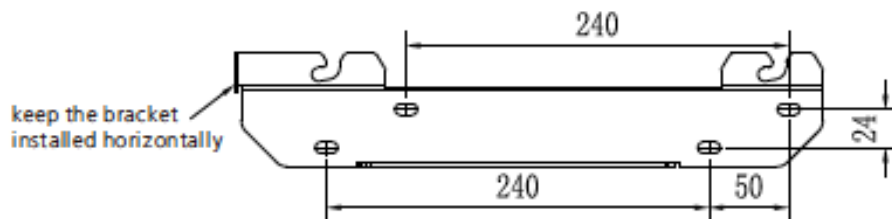
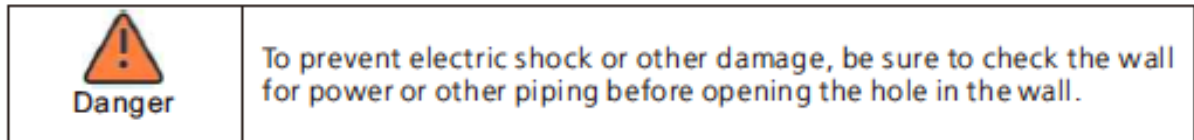


Fig 5. 7 Specifications of wall mount

Secure the wall mount as shown, do not let the screws flush with the wall, instead expose 2 to 4 mm.

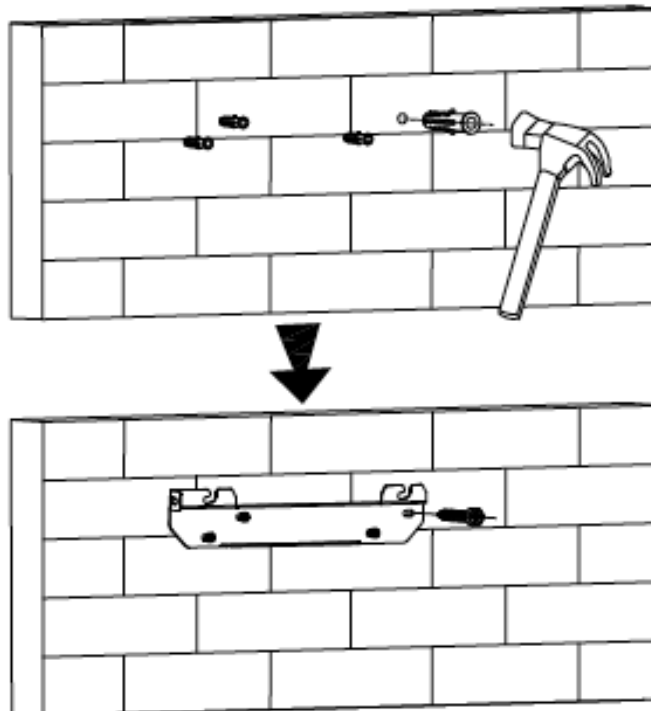


Fig 5.8 Schematic diagram of wall mount installation

5.3 Installing the inverter

Note: Before installing the inverter, you must first make sure that the wall mount is firmly fixed to the wall.

steps:

1. Hang the inverter on the wall mount and keep the inverter balanced when hanging.
2. To ensure that the inverter can be securely attached to the wall, secure the side of the inverter with the M5 safety screw on the left.

MONTAGE INSTRUCTIE

GROWATT MID17KTL3-MID40KTL3

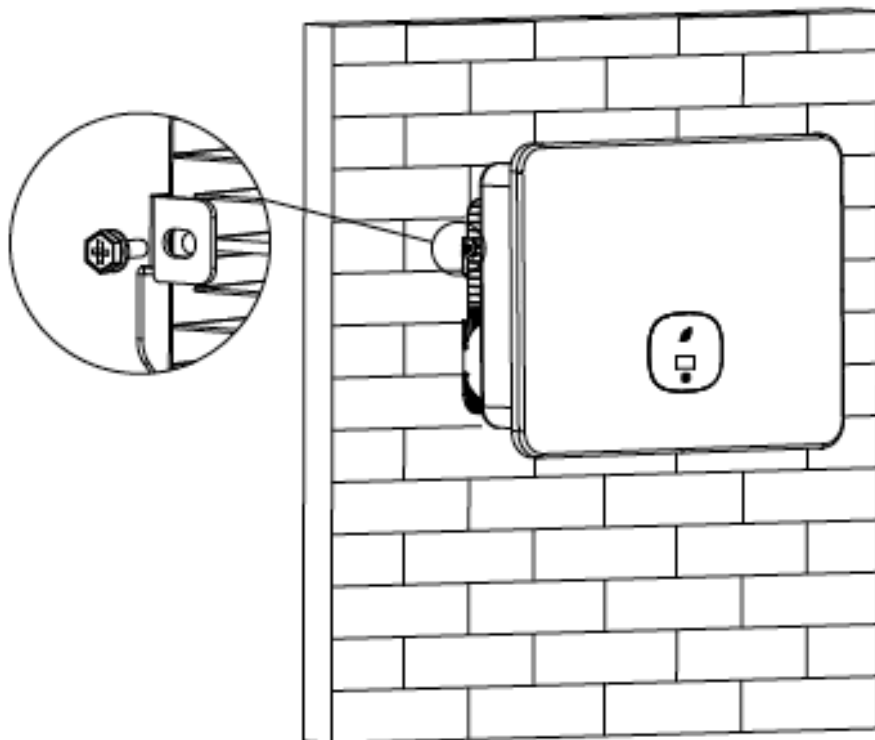


Fig 5.9 Schematic diagram of inverter wall mounting