

# MONTAGE INSTRUCTIE

## GROWATT MAX 50-100KTL3 LV\_MV



CAUTION

- To prevent device damage and personal injury, keep balance when moving the inverter because it is heavy.
- Do not place the inverter with its wiring and signal terminals at the bottom contacting with floor or any other object because the terminals are not designed to support the weight of inverter.
- When placing inverter on the floor, put foam or paper under the inverter to protect its cover.

### 5.1 Basic Installation Requirements

- A. Ensure that the installation wall is solid enough to bear the inverter(Inverter weight please refer to installation manual Chapter3, 3.2 ).
- B. There must be enough installation space to fit the size of inverter.
- C. Do not install inverter on flammable or heat-intolerant buildings.
- D. This inverter is IP 65 protection, you can install it indoor or outdoor.
- E. To avoid inverter performance de-rate due to the over heat, please do not expose the inverter under direct sunlight.
- F. The installation humidity should be from 0-95%.
- G. The surrounding temperature of inverter should be from -25°C - +60°C.
- H. Inverter should be installed in a vertically or rear tilted surface, please refer to following drawings.

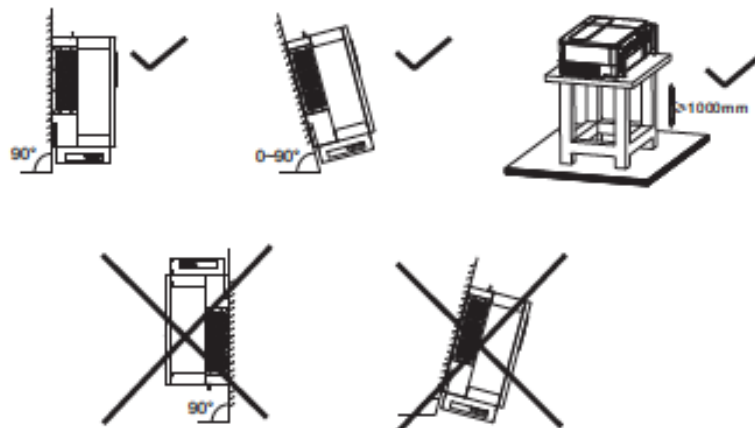


Fig 5.1

- I. To ensure the inverter can work smoothly and easy for personnel to operate, please notice there is sufficient space for inverter, refer to following drawing.

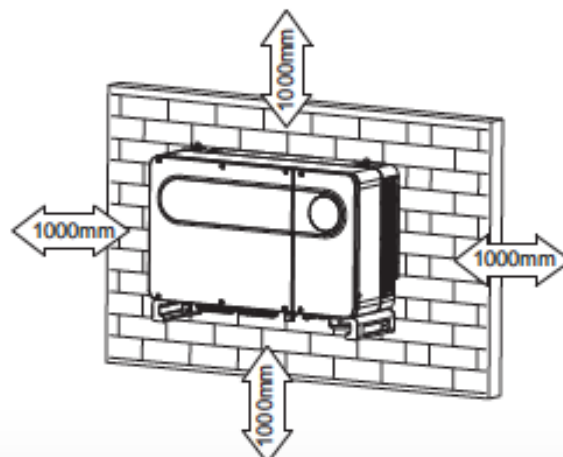


Fig 5.2

# MONTAGE INSTRUCTIE

## GROWATT MAX 50-100KTL3 LV\_MV

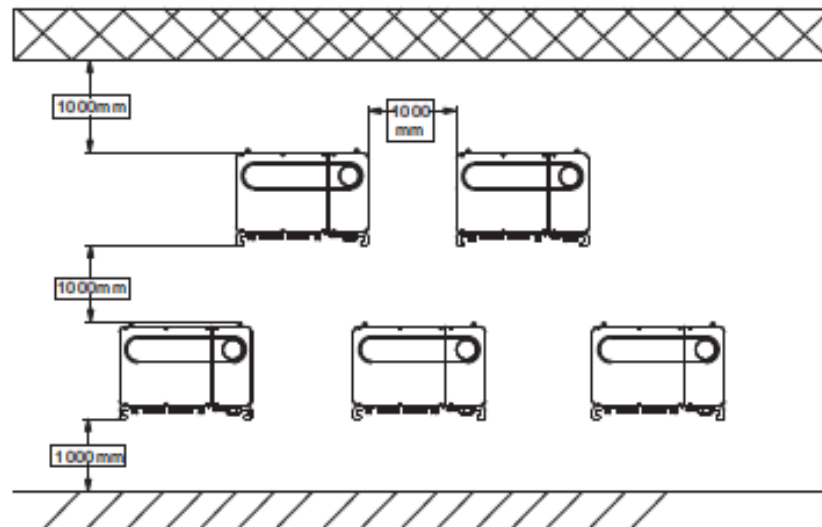


Fig 5.5

D. Do not install inverter into an enclosed space like following drawing.

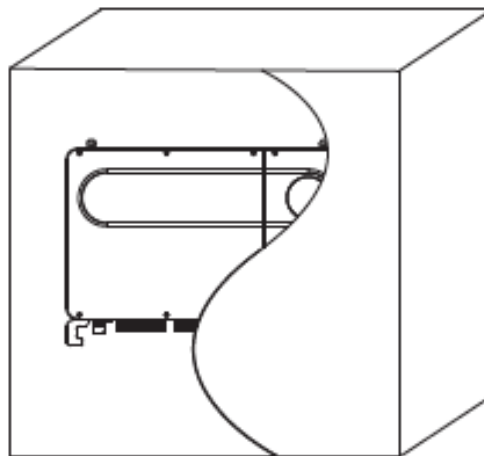



Fig 5.6

### 5.3 Moving Requirements

	<ul style="list-style-type: none"><li>•The inverter is heavy, please move it with care and keep balance to avoid personnel injury.</li><li>•Do not place the inverter with its wiring and signal terminals at the bottom contacting with floor or any other object because the terminals are not designed to support the weight of inverter.</li></ul>
---	--

Plan 1 :

1>As shown in Fig5.7, use a rope to tie at ring and handle, lift the inverter from package and move to installation position.

2>When you are moving the inverter, please keep the balance.

Notice: There is front and bottom mark on the package.

# MONTAGE INSTRUCTIE

## GROWATT MAX 50-100KTL3 LV\_MV

Plan 2 (Optional):

1>As shown in Fig 5.8, 4-6 persons lift the inverter out of package, swap the ring to moving handles.

2>When you are moving the inverter, please keep the balance.

Notice: There will be front and bottom mark on the package.

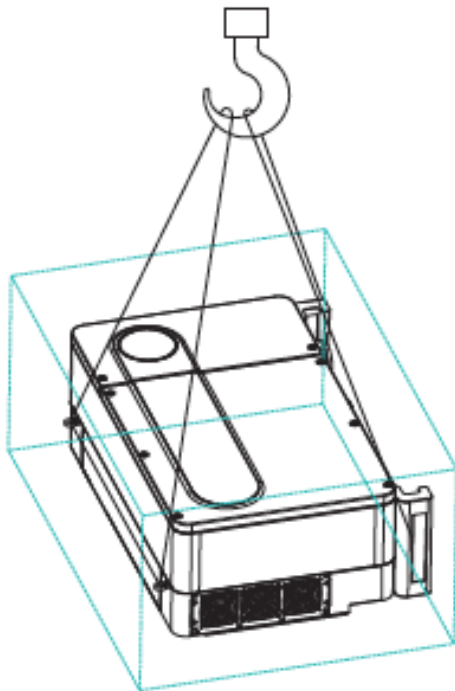


Fig 5.7

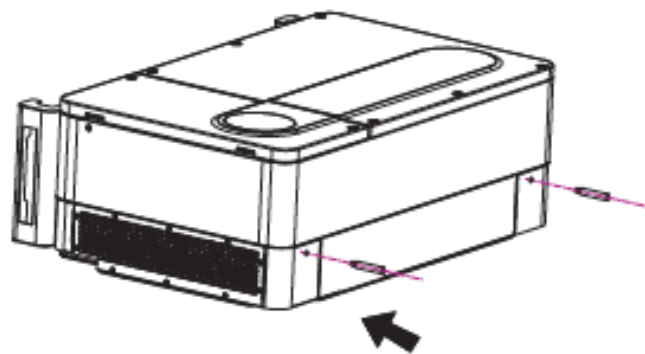
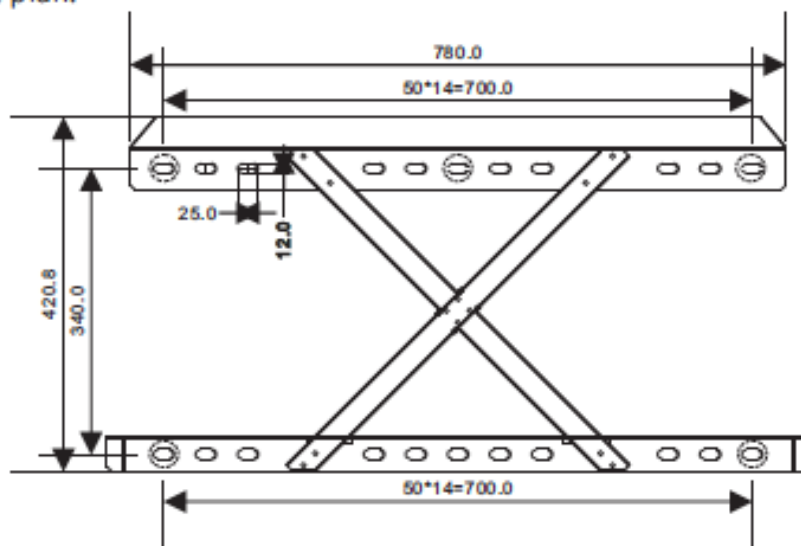


Fig 5.8

### 5.4 Wall Mount Bracket Installation

Before install the inverter you need install the wall mount bracket so that the inverter can be firmly installed on the wall.

Wall mount plan:



# MONTAGE INSTRUCTIE

## GROWATT MAX 50-100KTL3 LV\_MV

1>Use the wall mount plate as a template drill holes on the wall and put in expansion bolts.

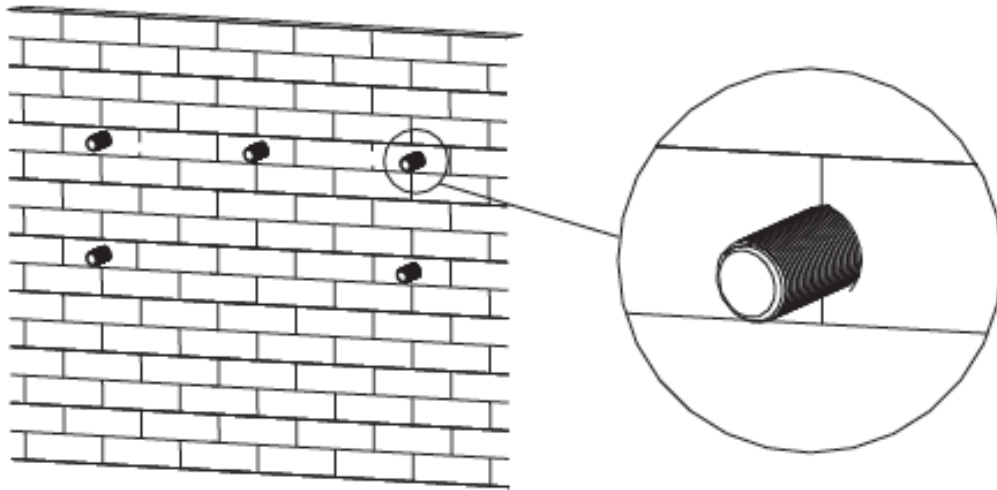


Fig 5.10

Notice : Expansion bolt should be installed on solid walls with at least 100mm thickness.

2>Follow the following drawing put the bolt to install the wall mount plate on the wall.

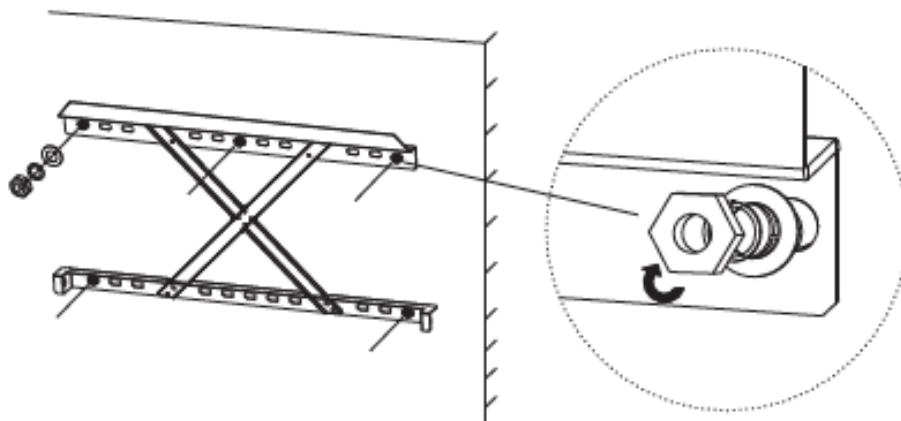


Fig 5.11

Notice: Do not install inverter unless you have confirmed the wall mount plate has been firmly installed on the wall.

### 5.5 Installing The Inverter

After the wall mount bracket has been firmly installed on the wall , put the inverter on that plate.

1>Use the rope(must meet the weight requirement of the inverter) through two rings and lift the inverter up, just as following Figure.

2>Before hanging the inverter on the wall mount bracket use screws to fix the inverter and please keep the inverter balance.

3>Check the inverter if it is firm enough and lock all the screws.

# MONTAGE INSTRUCTIE

## GROWATT MAX 50-100KTL3 LV\_MV

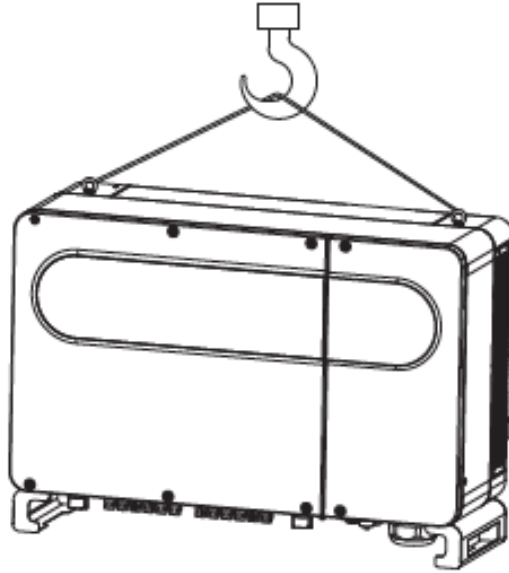


Fig 5.12

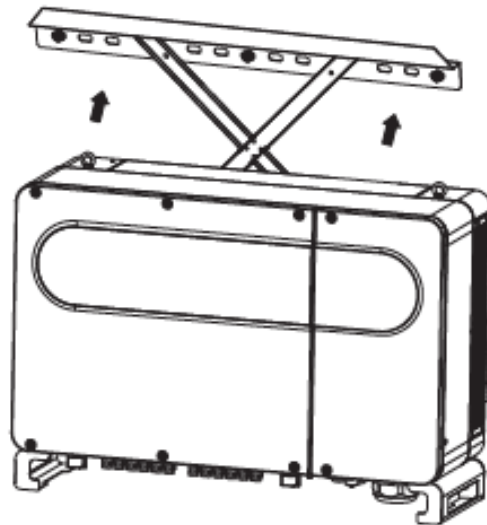


Fig 5.13

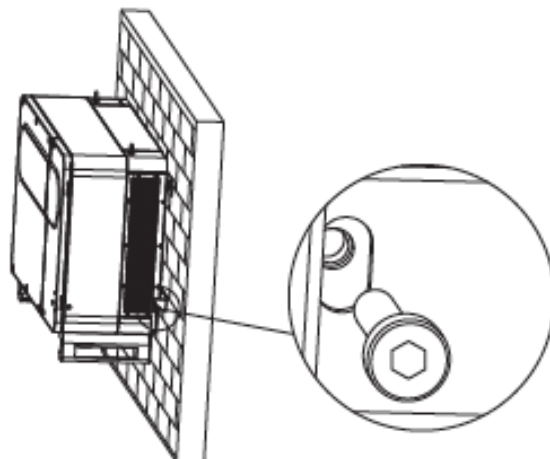


Fig 5.14