


# MONTAGE INSTRUCTIE

## GROWATT MAC 30KTL3\_X LV-60KTL3\_X LV

 <b>WARNING</b>	<ul style="list-style-type: none"><li>•To prevent device damage and personal injury, keep balance when moving the inverter because it is heavy.</li><li>•Do not place the inverter with its wiring and signal terminals at the bottom contacting with floor or any other object because the terminals are not designed to support the weight of inverter.</li><li>•When placing inverter on the floor, put foam or paper under the inverter to protect its cover.</li></ul>
---	---

### 5.1 Basic Installation Requirements

- A. Ensure that the installation wall is solid enough to bear the inverter. (Inverter weight please refer to installation manual Figure 5.1)
- B. There must be enough installation space to fit the size of inverter.
- C. Do not install inverter on flammable or heat-intolerant buildings.
- D. This inverter is IP 65 protection, you can install it indoor or outdoor.
- E. Install the inverter in the eye for easy viewing of the OLED display and maintenance work.
- F. To avoid inverter performance de-rate due to the over heat, please do not expose the inverter under direct sunlight.
- G. The installation humidity should be from 0-95%.
- H. The surrounding temperature of inverter should be from -25°C ~ +60°C.
- I. Inverter should be installed in a vertically or rear tilted surface, please refer to following drawings.

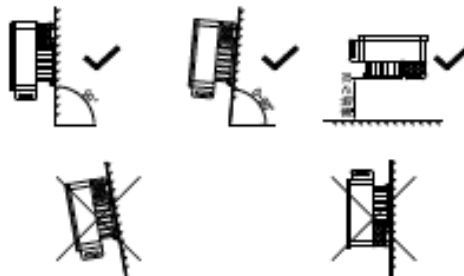



Figure 5.1

 <b>NOTICE</b>	When the equipment is placed horizontally, the height from the ground must be more than 1 meter.
--	--

- J. To ensure the inverter can work smoothly and easy for personnel to operate, please notice there is sufficient space for inverter, refer to following drawing :

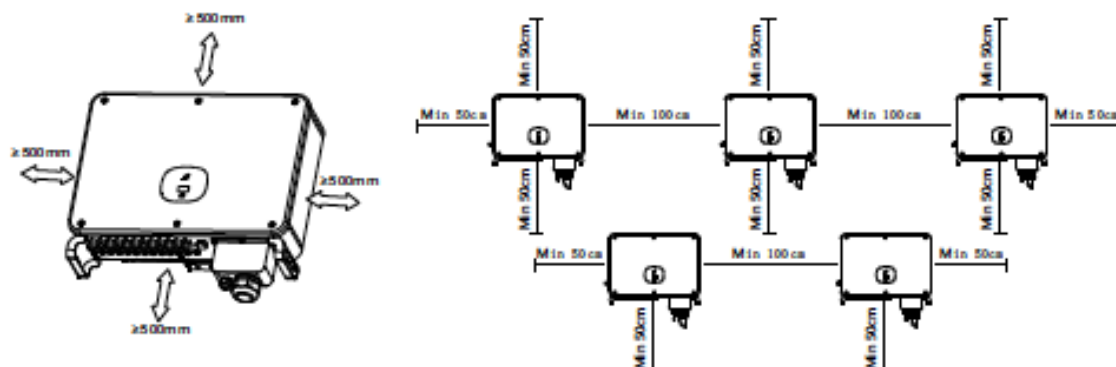


Figure 5.2

# MONTAGE INSTRUCTIE

## GROWATT MAC 30KTL3\_X LV-60KTL3\_X LV

- K. Do not install inverter close to strong electromagnetic signal.
- L. Install the inverter out of children's reach.

### 5.2 Installation Environment Requirements

A. Although the inverter's protection level is IP 65, to extent inverter lifespan you still need to avoid rain and snow, please refer to following drawings.



Figure 5.3

B. To reduce the de-rate performance of the inverter and extend inverter's life span, we strongly recommend you install an awning, for the distance between an awning and inverter, please refer to following drawing.

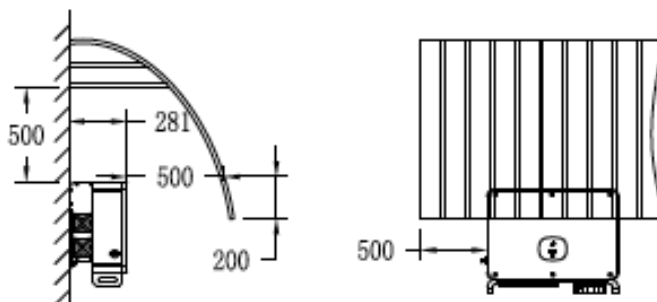


Figure 5.4

D. Do not install inverter into an enclosed space like following drawing :

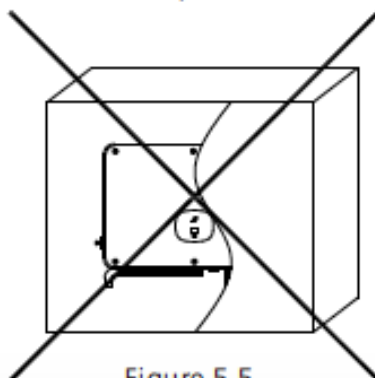



Figure 5.5

# MONTAGE INSTRUCTIE

## GROWATT MAC 30KTL3\_X LV-60KTL3\_X LV

### 5.3 Moving Requirements

 <b>WARNING</b>	<ul style="list-style-type: none"><li>•The inverter is heavy, please move it with care and keep balance to avoid personnel injury.</li><li>•Do not place the inverter with its wiring and signal terminals at the bottom contacting with floor or any other object because the terminals are not designed to support the weight of inverter.</li></ul>
---	--

1>2-3 people put their hands into the package, lift the inverter out of the package, and move to the designated installation location.

2>When you are moving the inverter, please keep the balance.

**Notice:** There is front and bottom mark on the package.

### 5.4 Wall Mount Bracket Installation

Before install the inverter you need install the wall mount bracket so that the inverter can be firmly installed on the wall.

**Wall mount plane drawing :**

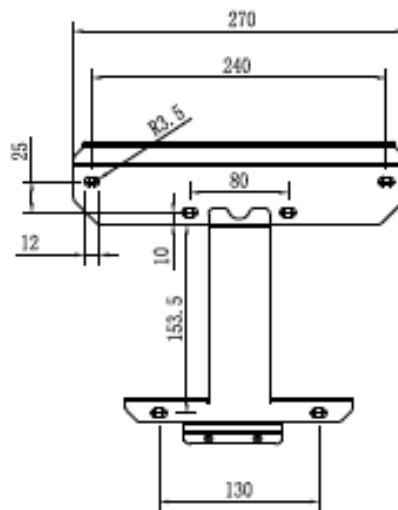



Figure 5.6

 <b>DANGER</b>	<p>To avoid electric shock or other damage, be sure to check the wall for power lines or other piping before opening the wall.</p>
--	--

#### Steps:

1>Use the wall mount plate as a template drill holes on the wall and put in expansion bolts.

2>Follow the following drawing put the bolt to install the wall mount plate on the wall.

# MONTAGE INSTRUCTIE

## GROWATT MAC 30KTL3\_X LV-60KTL3\_X LV

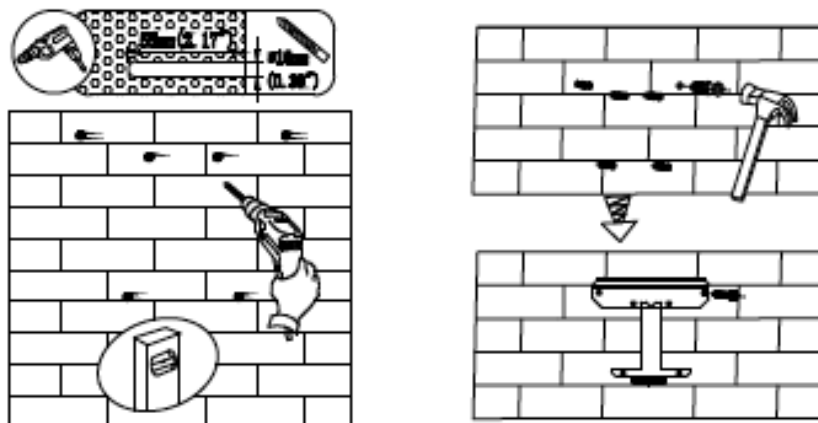


Figure 5.7

### 5.5 Install PV Inverter

- 1>Before installing the inverter on the wall mount, please make sure that the wall mount is firmly fixed to the wall:
- 2>Hang the inverter on the wall mount and fix it with bolts. Keep the inverter balanced when hanging.
- 3>Check the inverter if it is firm enough and lock all the screws.

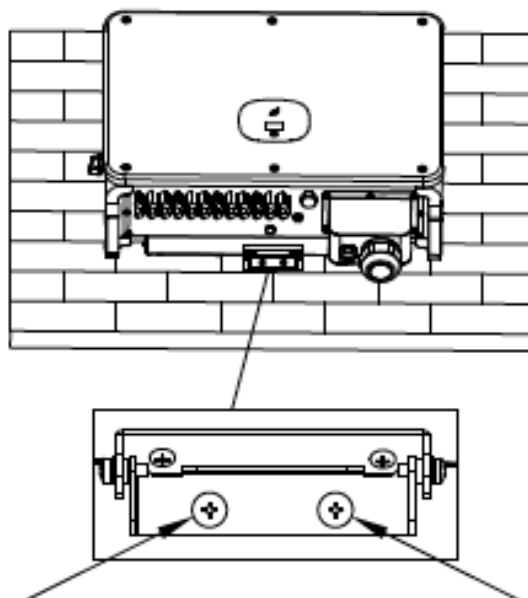


Figure 5.8