

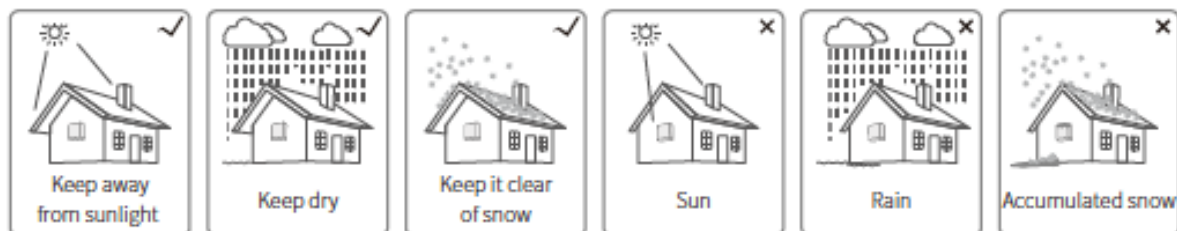
MONTAGE INSTRUCTIE

GOODWE MT SERIES

4 Installation

4.1 Mounting Instructions

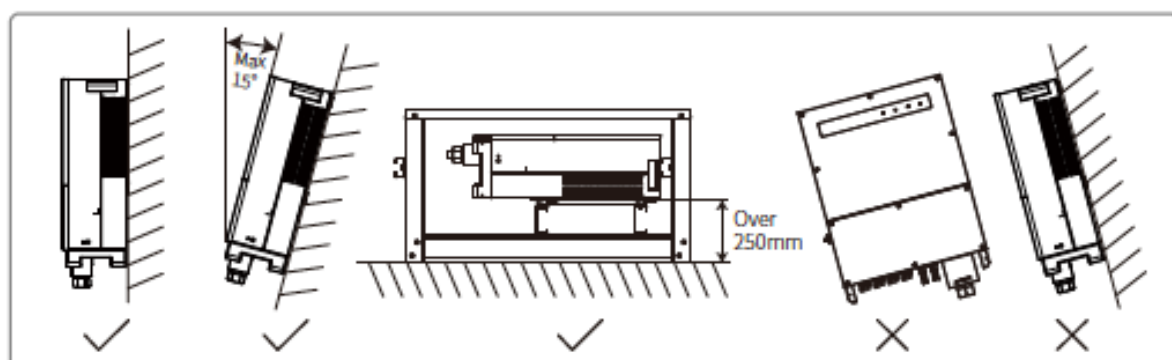
1. To achieve optimal performance, the ambient temperature should be lower than 45°C.
2. For easy maintenance, we suggest installing the inverter at eye level.
3. Inverters should not be installed near flammable or explosive items. Strong electro-magnetic forces should be kept away from installation site.
4. Product label and warning symbols should be placed at a location that is easy to see / read by the users.
5. Ensure to install the inverter at a place where it is protected from direct sunlight, rain and snow.



4.2 Equipment Installation

4.2.1 Select the Installation Location

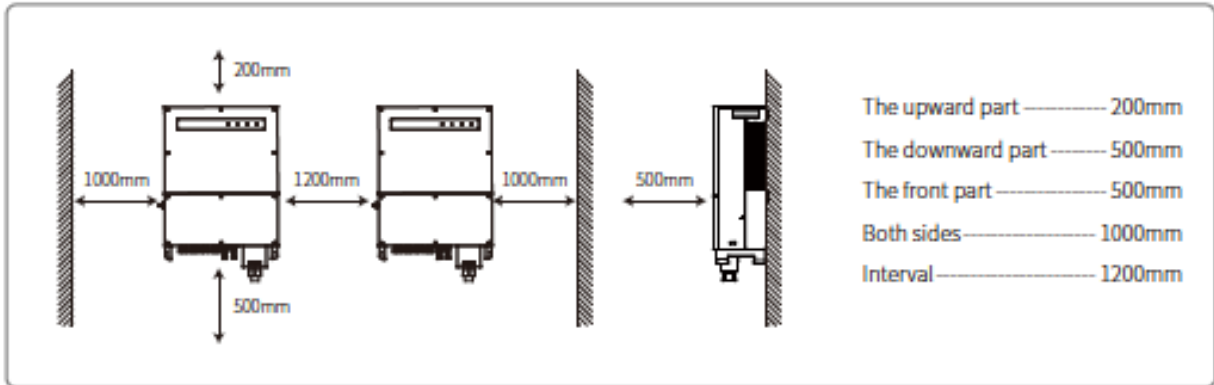
1. Take the bearing capacity of the wall into account. The wall (e.g. concrete and metal) should be strong enough to hold the weight of the inverter over a long period of time.
2. Install the unit where it is accessible to service or provide an electrical connection.
3. Do not install the unit on the wall containing or housing flammable materials.
4. Ensure the installation location is well ventilated.
5. Inverters should not be installed near flammable or explosive items. Any strong electro-magnetic forces should be kept away from the installation site.
6. Install the unit at eye level for convenient operation and maintenance.
7. Install the unit vertically or tilted backwards of no more than 15° , no lateral tilt is allowed. Wiring area should face downwards. Horizontal installation requires more than 250mm elevation.



MONTAGE INSTRUCTIE

GOODWE MT SERIES

To ensure heat dissipation and convenient disassembly, the minimum clearance around the inverter should not be less than the following values:



4.2.2 Transport And Mounting Procedure

1. Two operators are required when moving the inverter to hold the handle and arm-brace respectively.
2. Use the wall-mounted bracket as a template and drill 6 holes on the wall: 13 mm diameter and 65 mm deep.
3. Fix the wall-mounted bracket on the wall with six expansion bolts from the accessory bag.
4. Carry the inverter with the handles on both sides of the inverter.
5. Place the inverter on the wall-mounted bracket as illustrated.

